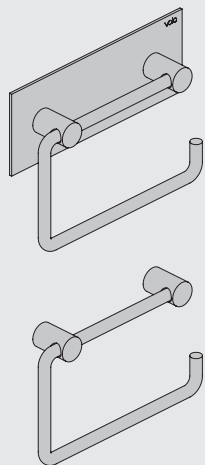


**VOLA T12, T12-BP,  
VOLA T13, T13-BP,  
VOLA T13L, T13L-BP,  
VOLA T15, T15-BP**

Maintenance  
Pfleheinweise  
Vedligeholdelse



www.vola.com

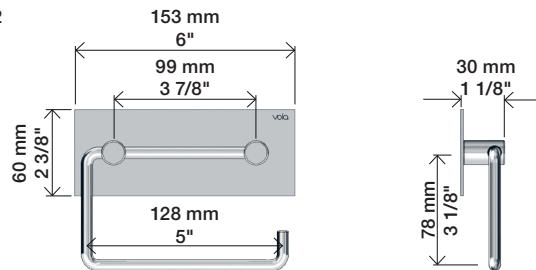
vola

mnt\_T12\_V3\_40999560

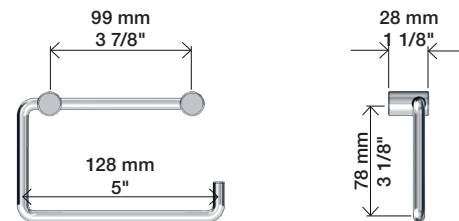


09-04-2024 5 703182 372747

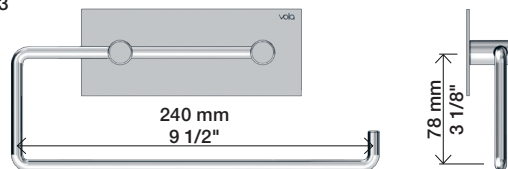
T12



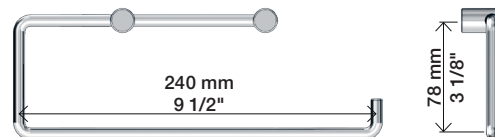
T12-BP



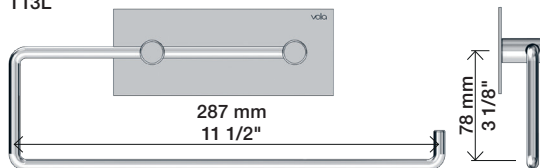
T13



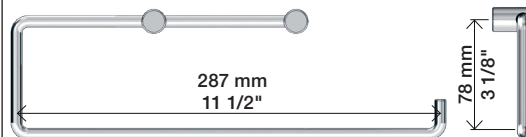
T13-BP



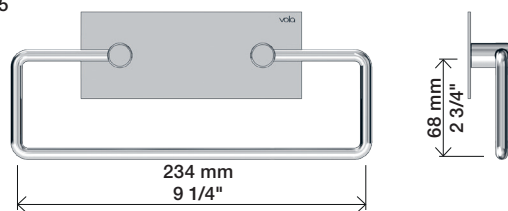
T13L



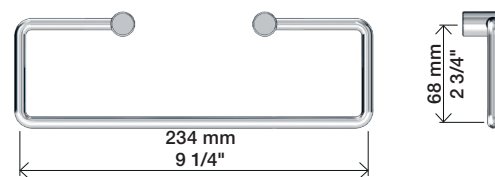
T13L-BP



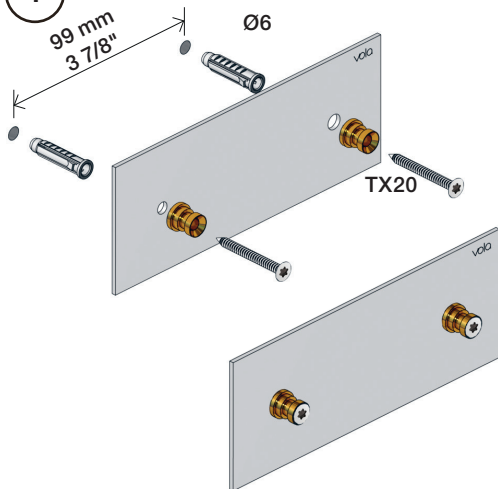
T15



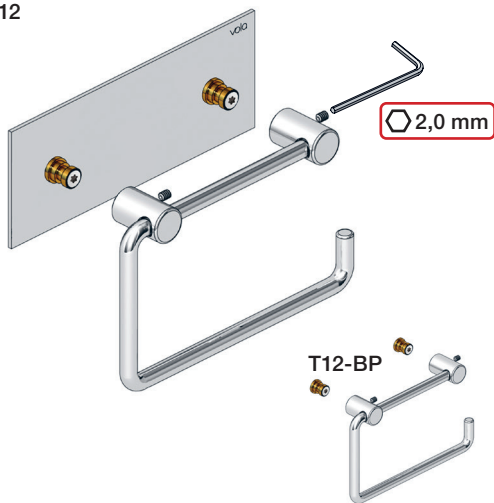
T15-BP



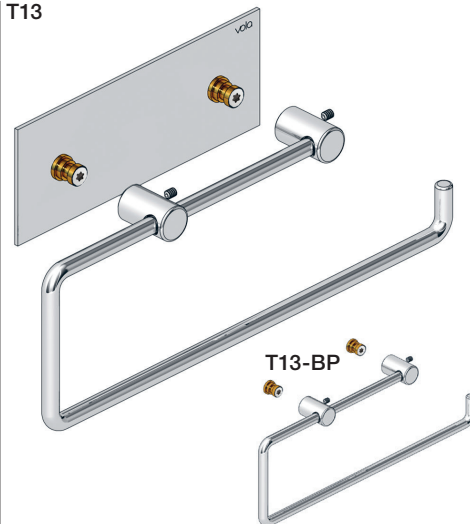
1



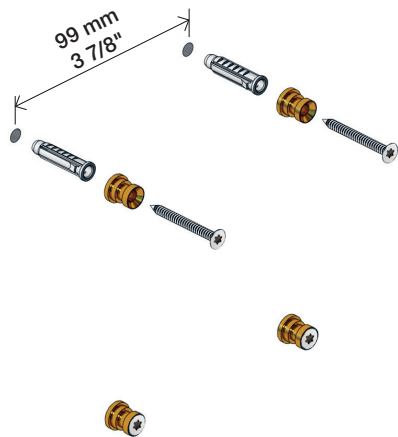
T12



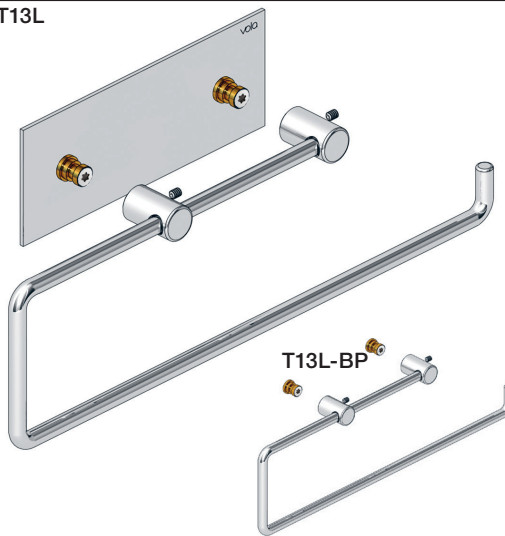
T13



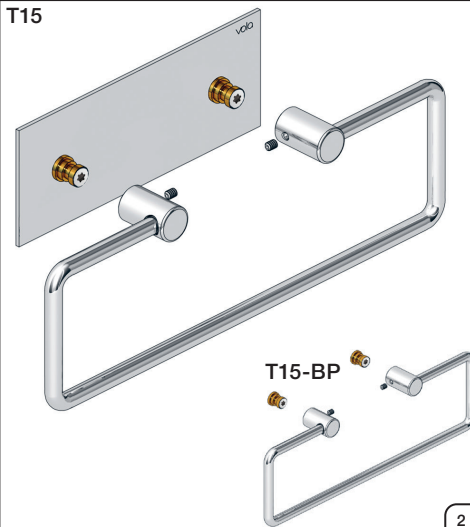
1BP



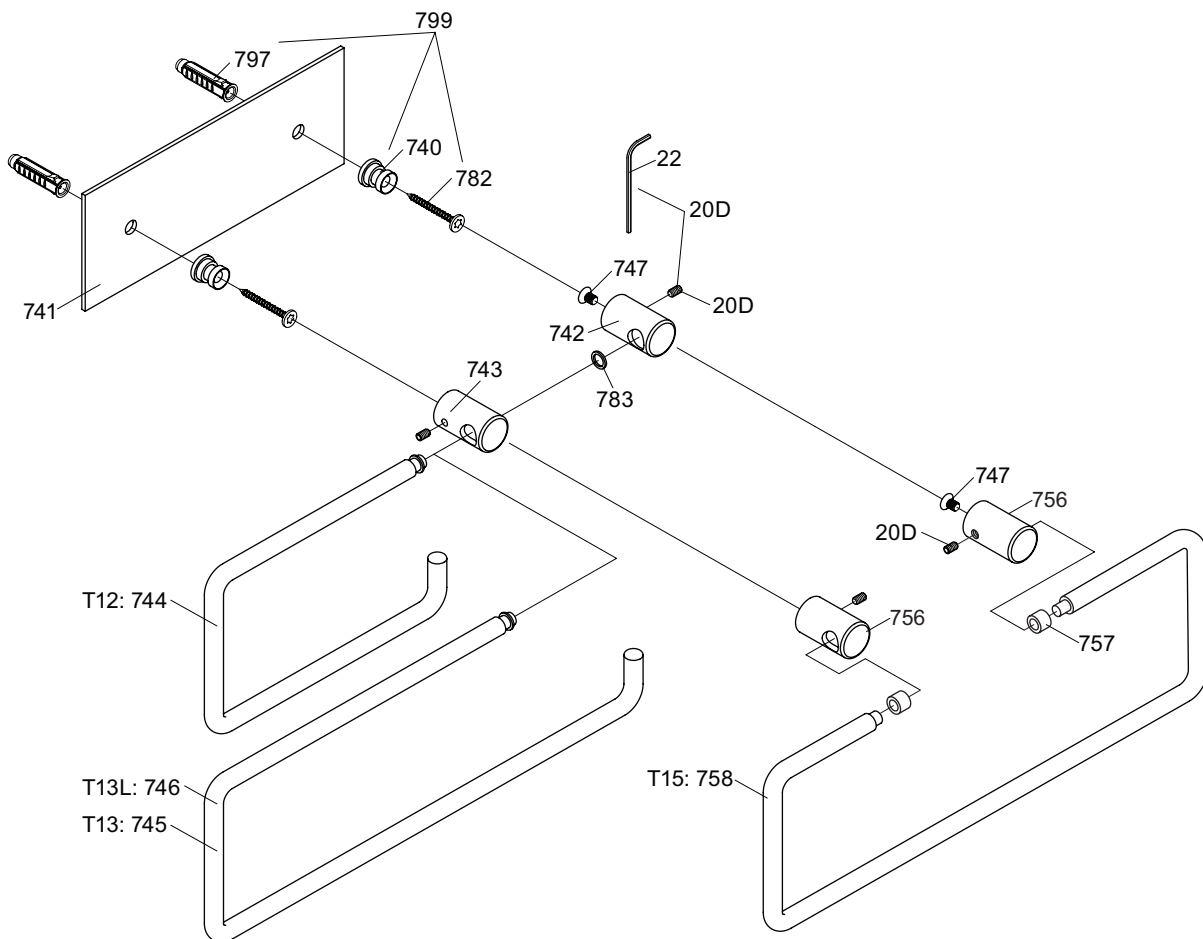
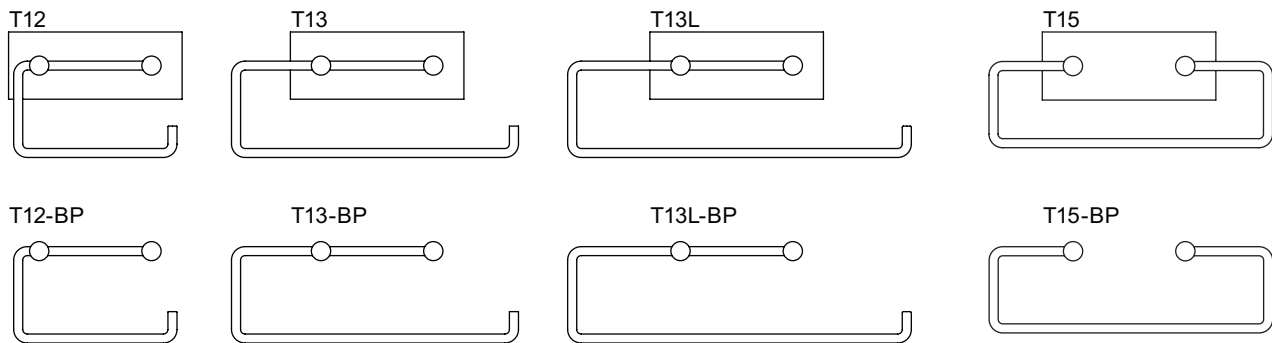
T13L



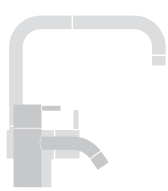
T15



2



VR20D: VR20D, VR22  
 VR799: VR740, VR782, VR797



**vola**  
 Lunavej 2  
 DK-8700 Horsens  
 Tlf : + 45 7023 5500  
 sales@vola.com  
 www.vola.com

# VOLA T12, T13, T15

Date	Aug. 24
Rev.	2
Sheet	SB 42.2