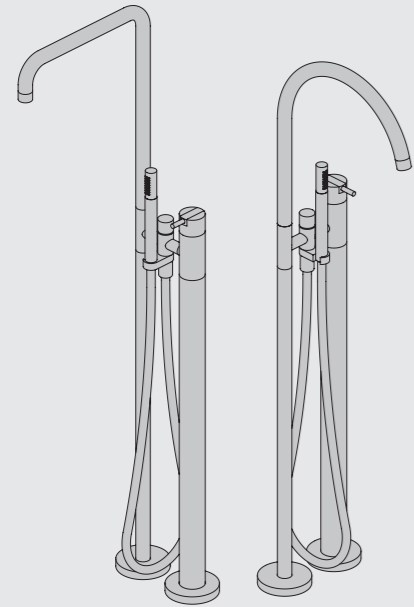


**VOLA FS1 & FS5**

Fitting instruction  
Montageanleitung  
Monteringsvejledning

Monteringsvægledning  
Montage hanleiding  
Manuel de montage

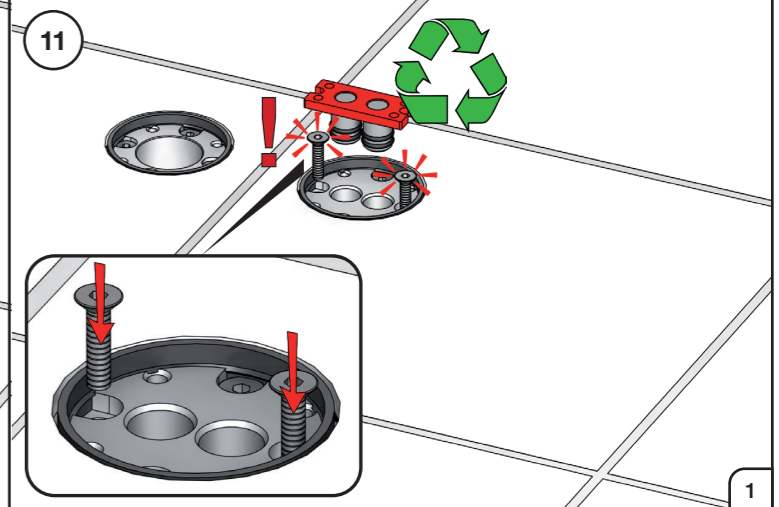
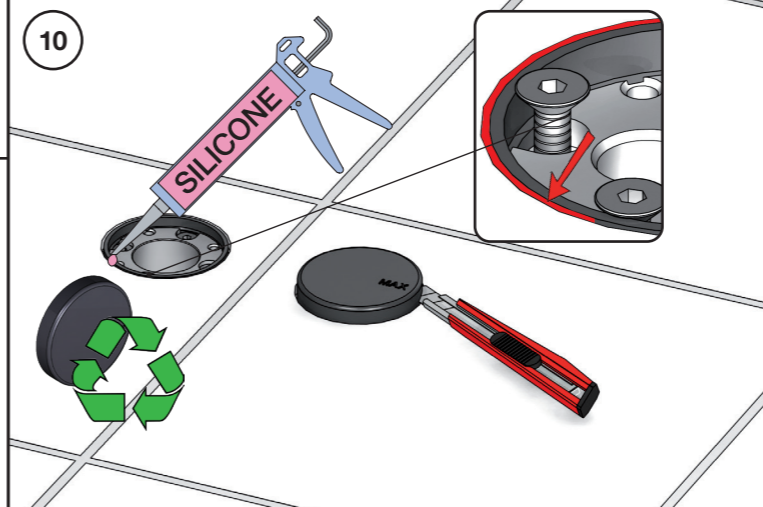
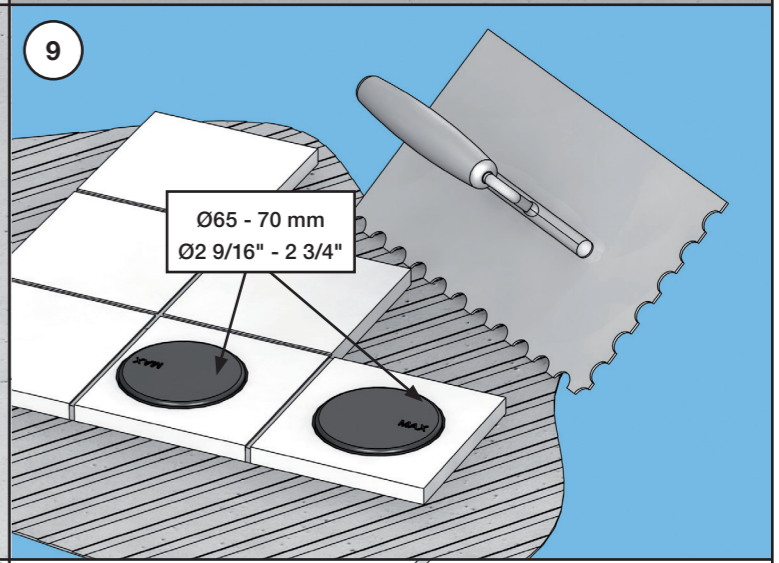
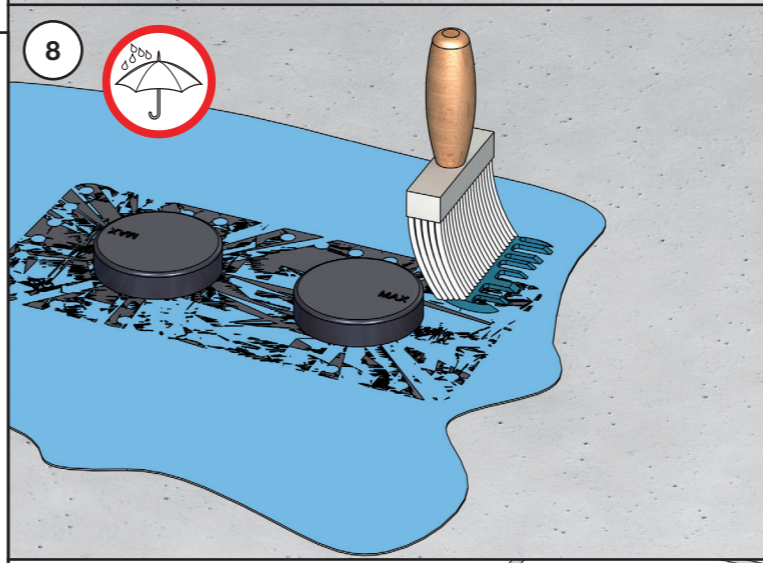
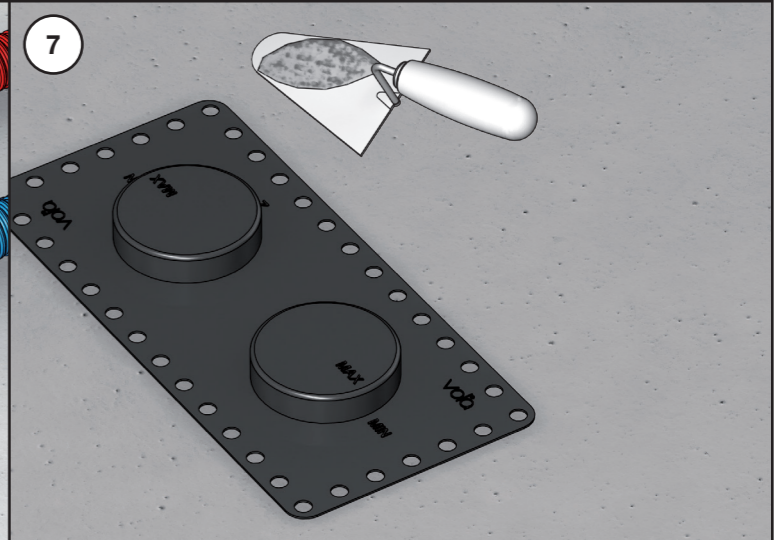
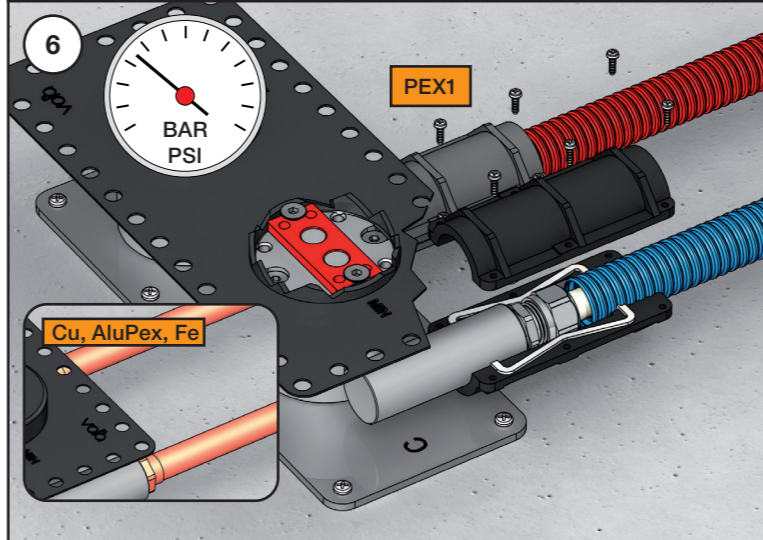
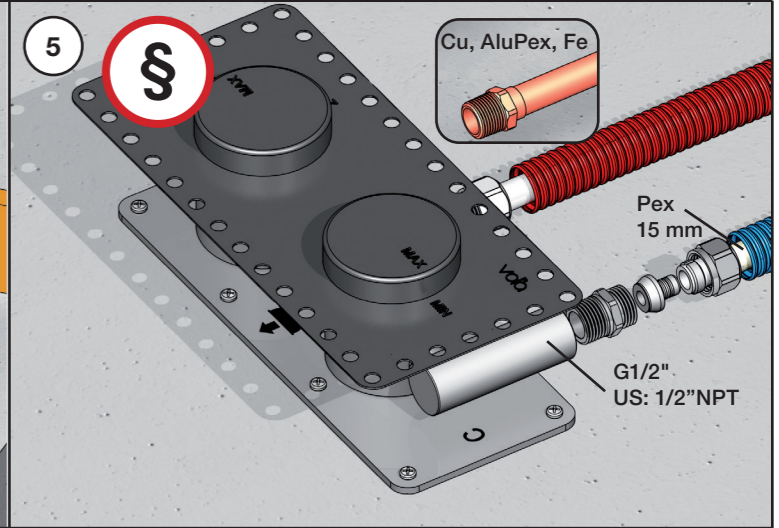
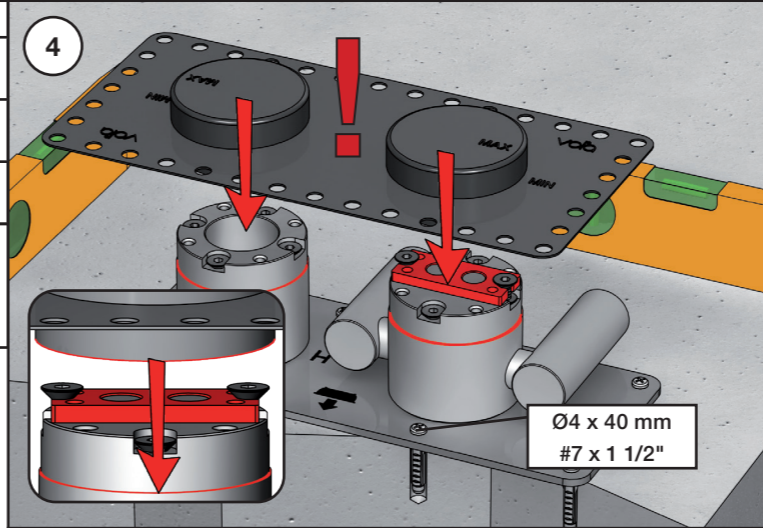
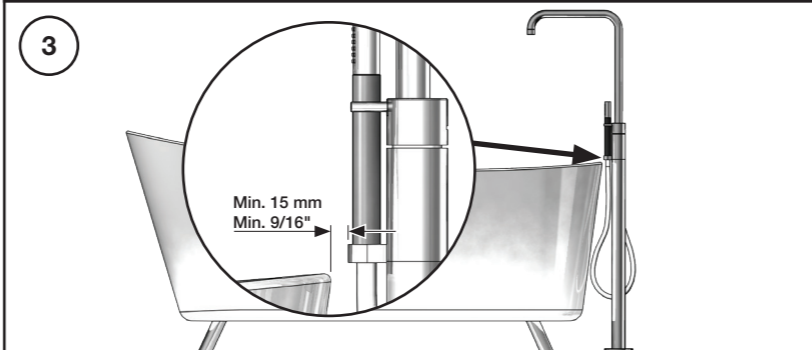
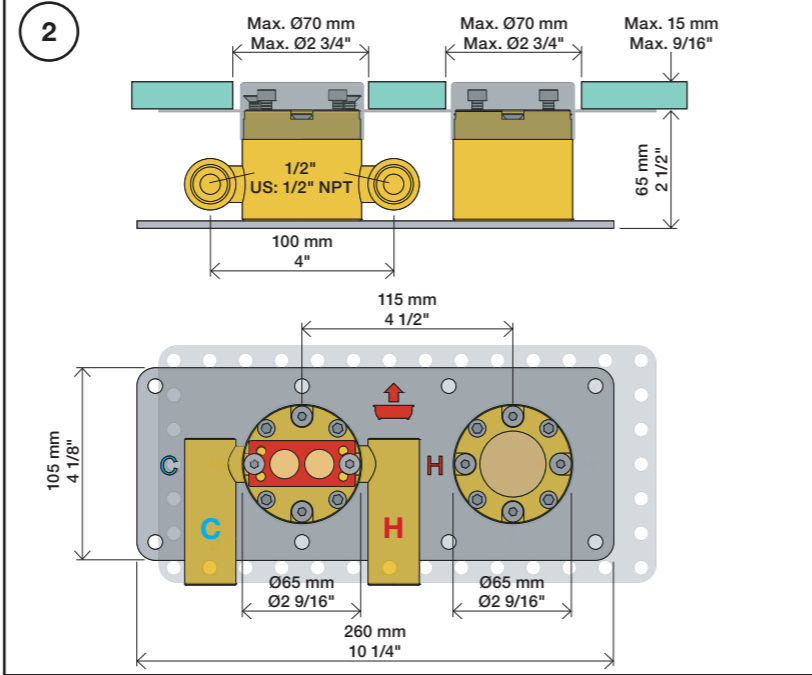
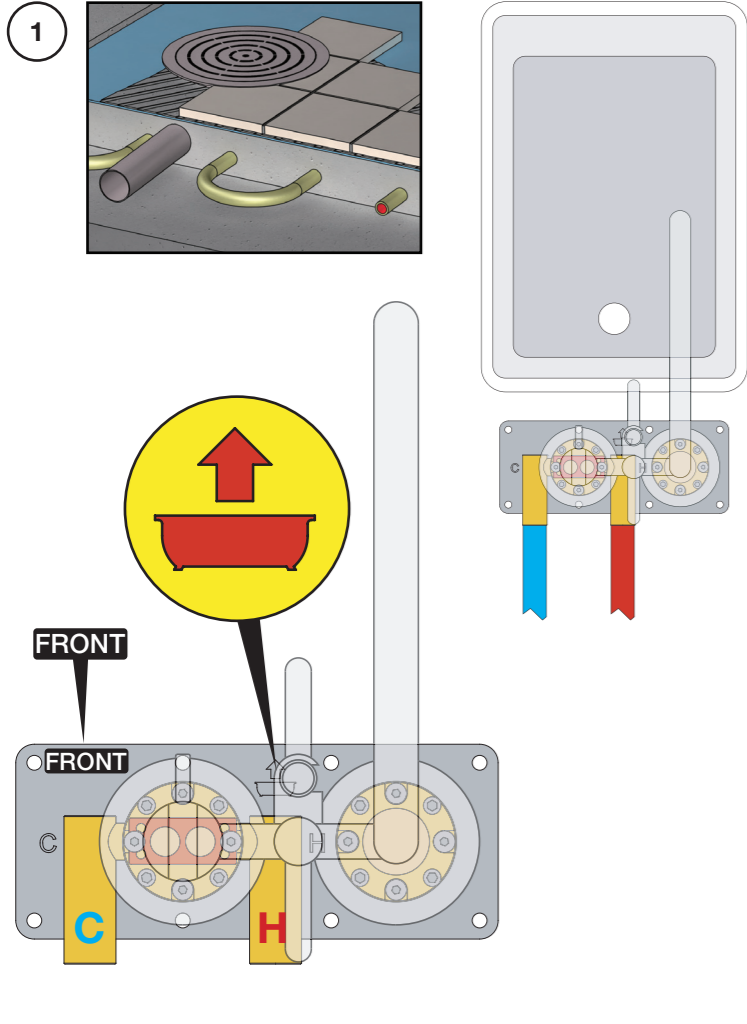
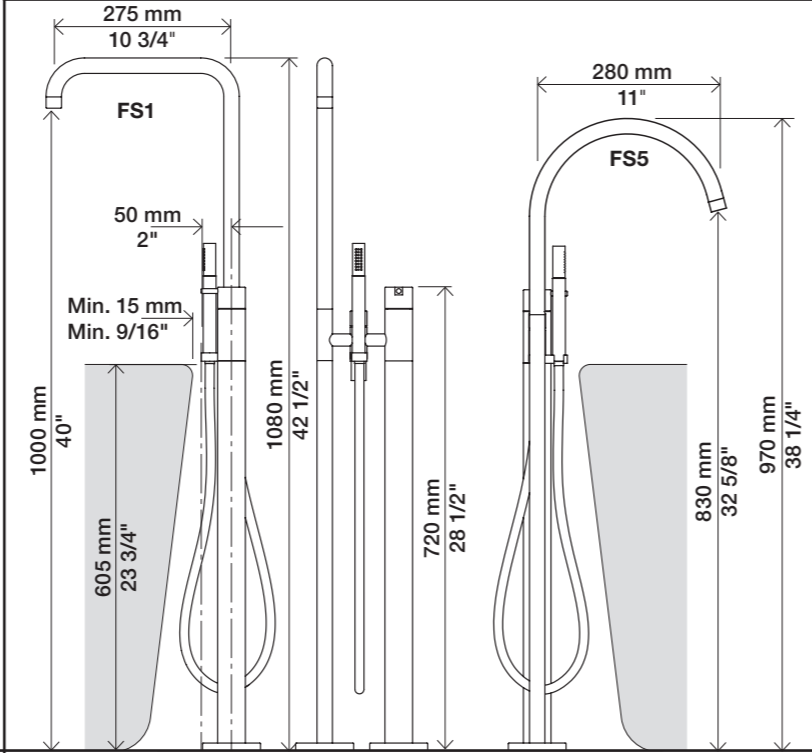


www.vola.com  
mnt\_FS1\_V5\_40600108  
11-06-2024

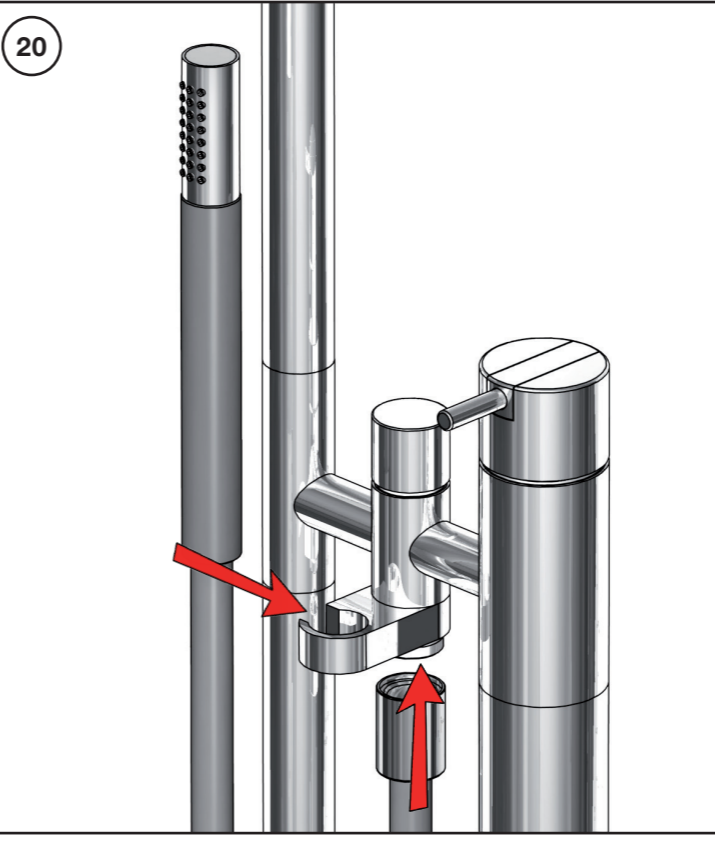
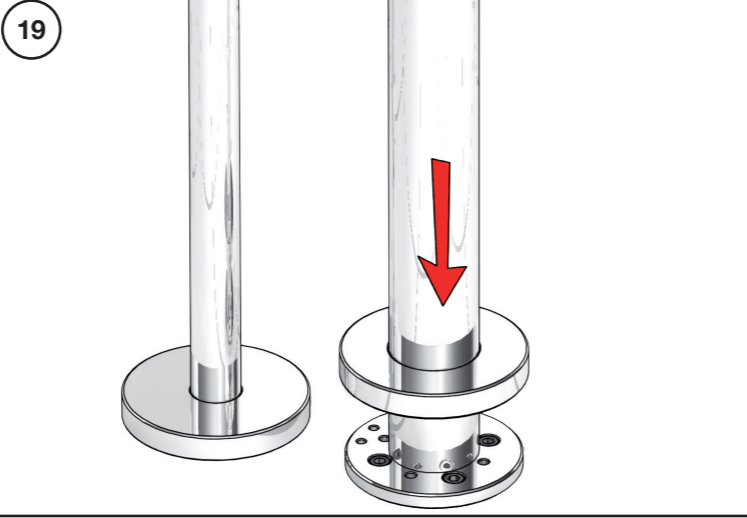
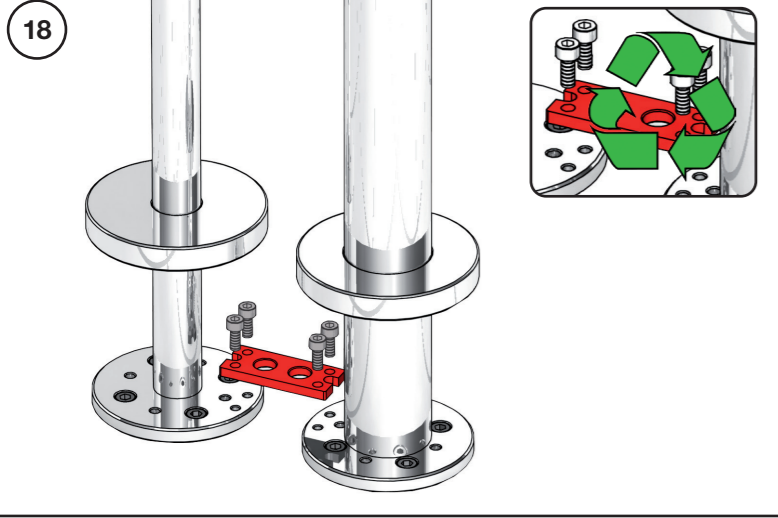
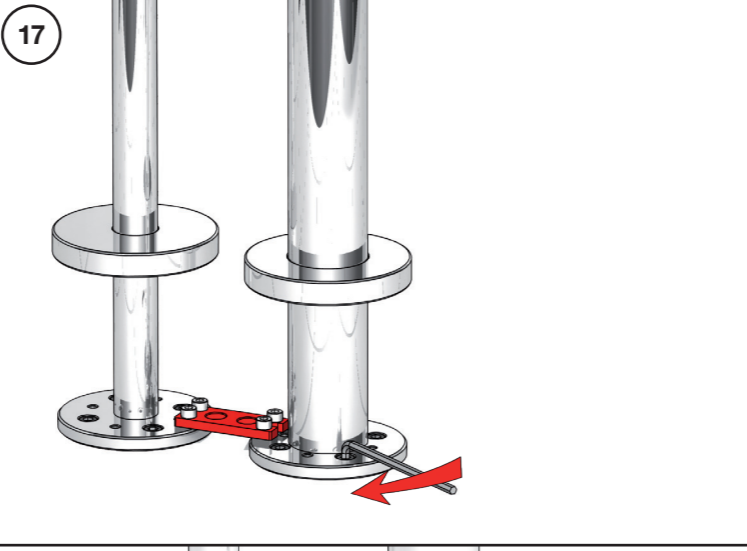
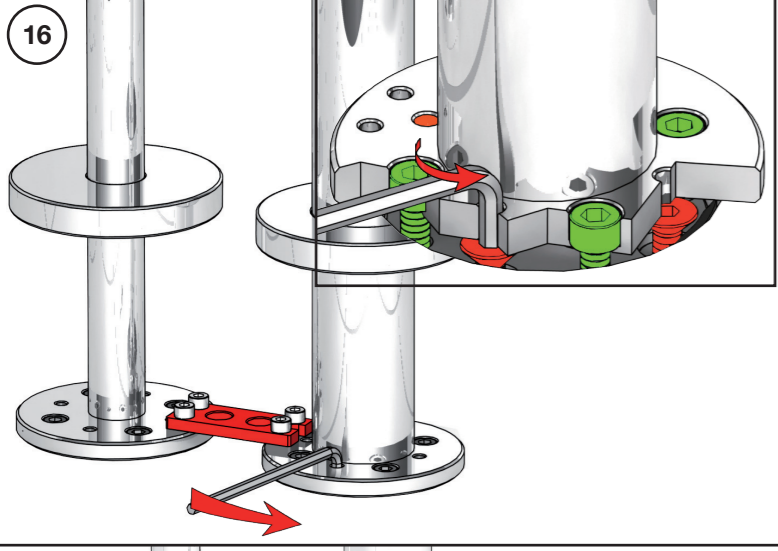
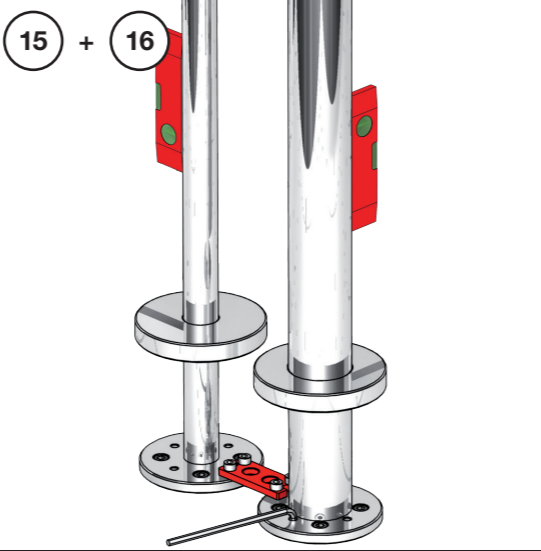
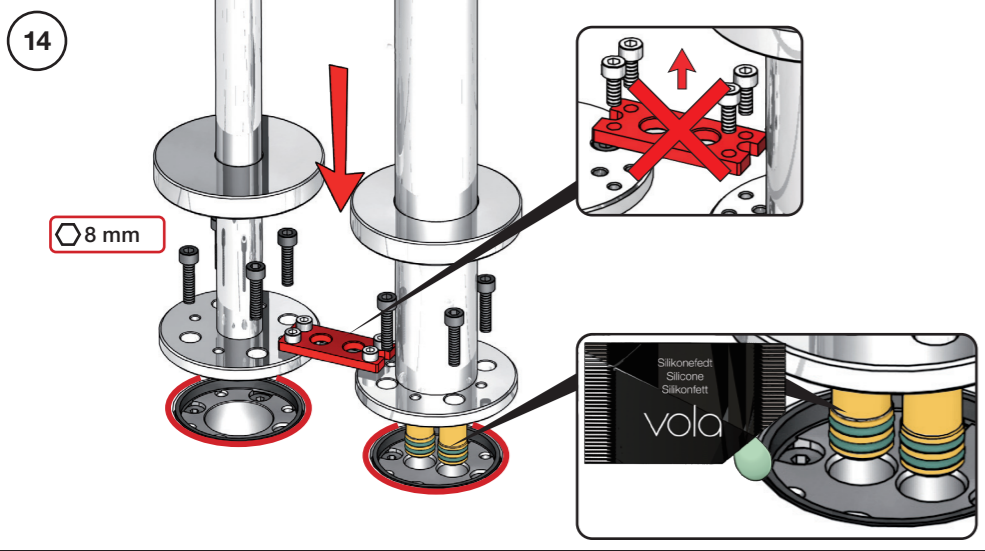
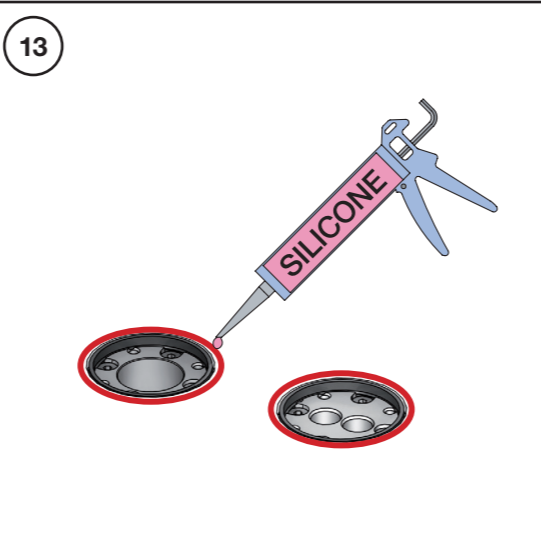


Max. 65°C, 150°F Max. 10 Bar/145 Psi		<b>Bar:</b>	<b>1</b>	<b>2</b>	<b>3</b>	<b>4</b>	<b>5</b>
	<b>FS1 VR624D-STD</b>	(l/min) (Gal/min)	10.2 2.7	15.0 4.0	18.6 4.9	18.6 5.7	24.0 6.3
	<b>FS1 VR624E-ALT</b>	(l/min) (Gal/min)	12.6 3.3	18.0 4.8	22.2 5.9	25.2 6.7	28.8 7.6
	<b>T2</b>	(l/min) (Gal/min)	9.0 2.4	9.0 2.4	9.0 2.4	9.0 2.4	9.0 2.4

Temperature shall be regulated by one of the following means:  
 1. A limiting device conforming to either ASSE 1070/ASME A112.1070/CSA B125.70 or CSA B125.3.  
 2. A water heater conforming to ASSE 1084.







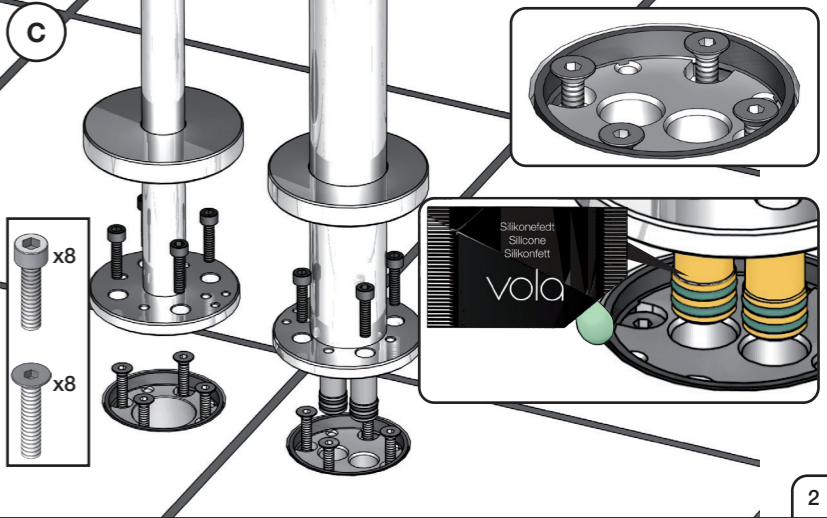
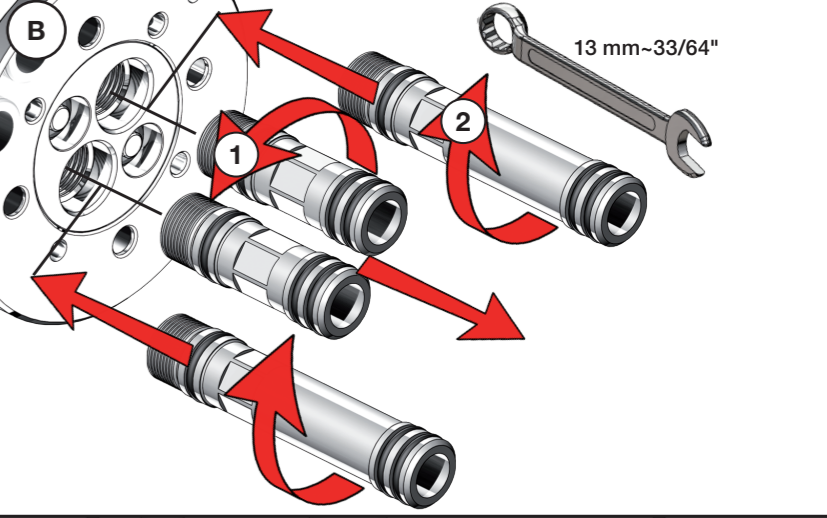
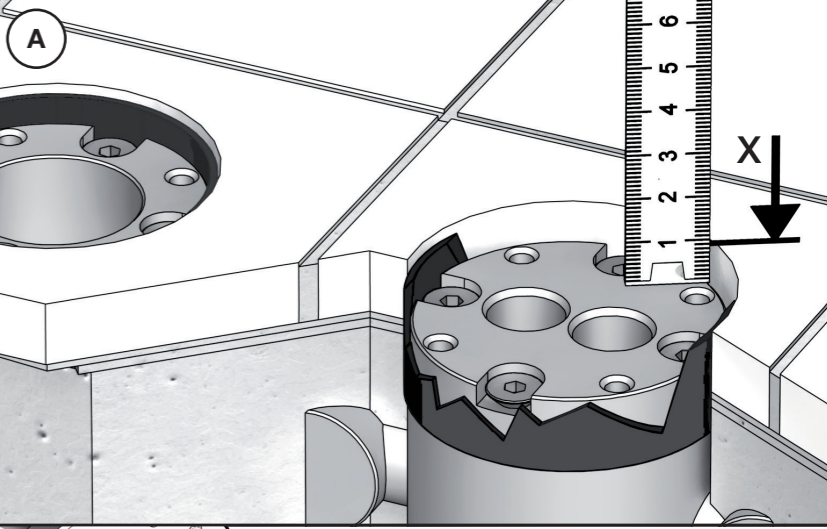
Extension  
Verlängerung  
Förlängelse

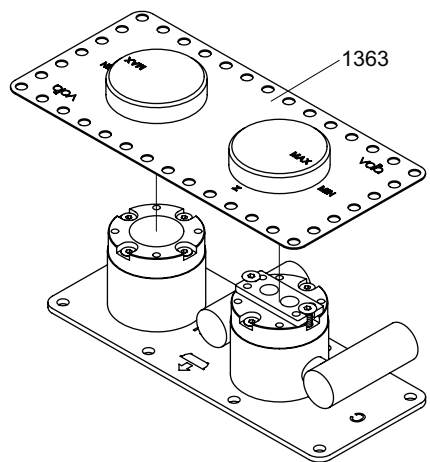
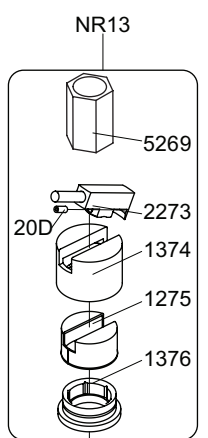
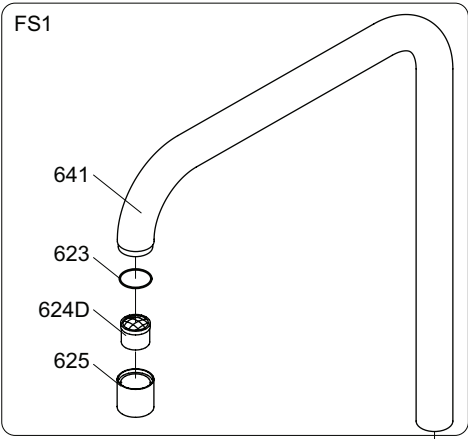
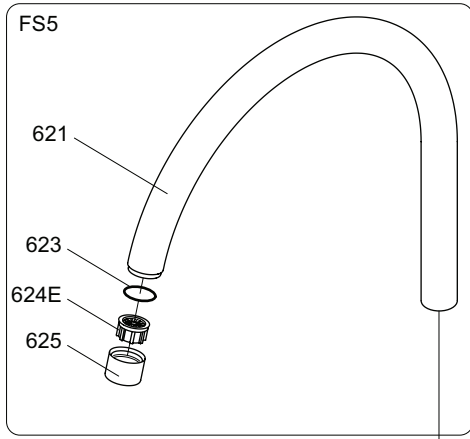
X:	
3 - 15 mm 2/16" - 9/16"	Standard
15 - 25 mm 9/16" - 1"	VR1395+15
25 - 35 mm 1" - 1 3/8"	VR1395+30

Förlängning  
Verlängstücken  
Verlängerung

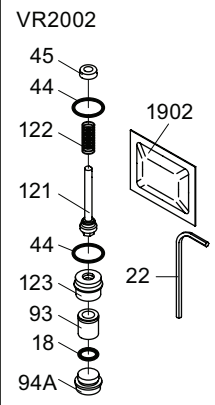
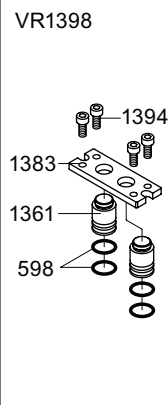
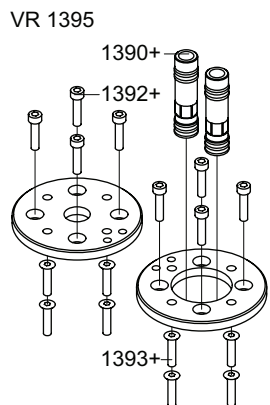
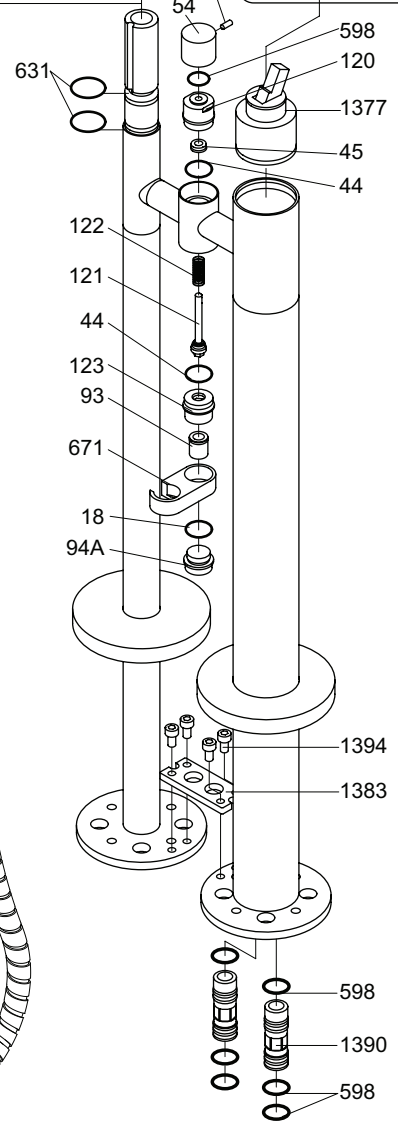
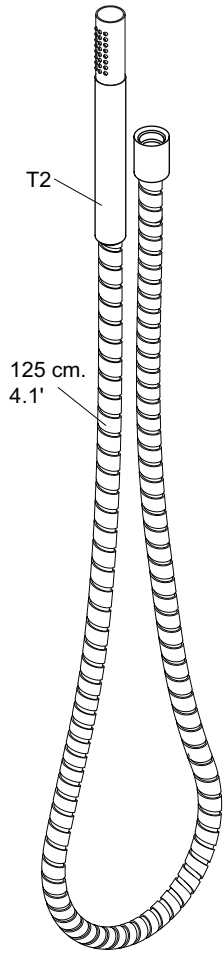
VR1395  
Standard: +15 +30

VR1395

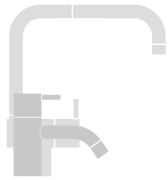




DK - SE: PEX1  
NO: PEX1GL



- NR13: VR20D, VR1275, VR1374, VR1376, VR2273, VR5269  
 VR010D: VR623, VR624D  
 VR1395: 6xVR598, 2xVR1390+, 8xVR1392+, 8xVR1393+  
 VR1398: 4xVR598, 2xVR1361, VR1383, 4xVR1394  
 VR2002: VR18, VR22, 2xVR44, VR45, VR93, VR 94A, VR121, VR122, VR123, VR1902



vola  
Lunavej 2  
DK-8700 Horsens  
Tlf : + 45 7023 5500  
sales@vola.com  
www.vola.com

# VOLA FS1 & FS5

Date	Nov. 11
Rev.	2
Sheet	SB53