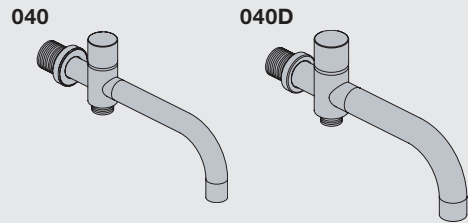


**VOLA 010, 020, 030, 040**  
**VOLA 010C, 020C, 040D**

Fitting instruction  
 Montageanleitung  
 Monteringsvejledning  
 Monteringsvægledning  
 Montage hanleiding  
 Manuel de montage



04/00026  
 04/00101  
 04/00175  
 04/00298



www.vola.com  
 mnt\_010\_V1\_40998360  
 23-05-2023



| Standard Flow data: |           | Max.                     |
|---------------------|-----------|--------------------------|
| 010/020             | (l/min)   | 5.0                      |
|                     | (Gal/min) | 1.3                      |
| 010C/020C           | (l/min)   | 30                       |
|                     | (Gal/min) | 7.9                      |
| 030                 | (l/min)   | 9.0                      |
|                     | (Gal/min) | 2.0                      |
| 040                 | (l/min)   | 25                       |
|                     | (Gal/min) | 6.6                      |
| 040D                | (l/min)   | 30                       |
|                     | (Gal/min) | 7.9                      |
|                     |           | Max. 65°C.<br>Max. 150°F |



**VR161:**  
 VR161K: 7 l/min - 1.8 Gal/min  
 VR161D: 9 l/min - 2.5 Gal/min  
 VR161F: 14 l/min - 3.7 Gal/min

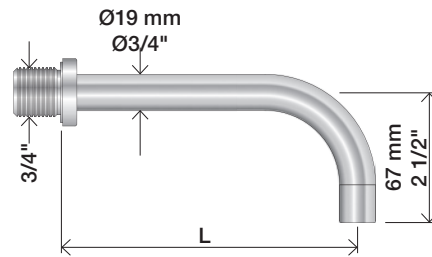


For more water saving possibilities please see:  
 Weitere Wassersparmöglichkeiten finden Sie auf:  
 For flere vandbesparende muligheder se venligst:  
 För mer vattenbesparande möjligheter hänvisas till:  
 Voor meer waterbesparende mogelijkheden zie:  
 Pour plus d'informations sur les options : économie d'eau, voir le site:

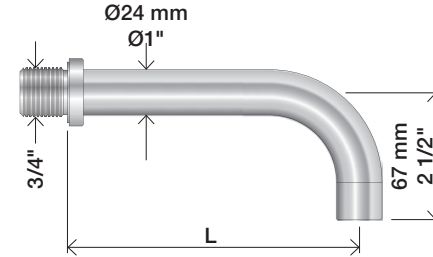
[www.vola.com](http://www.vola.com)



**010, 020**

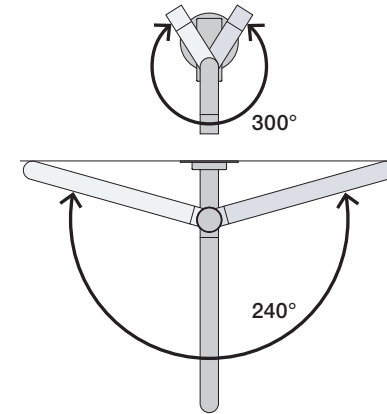
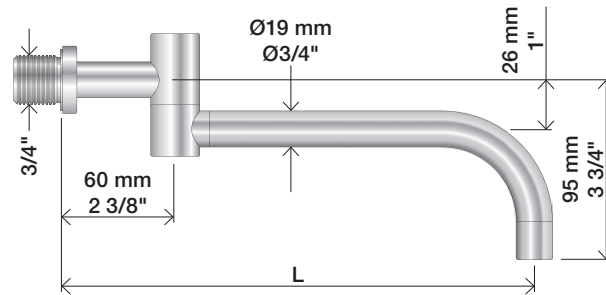


**010C, 020C**



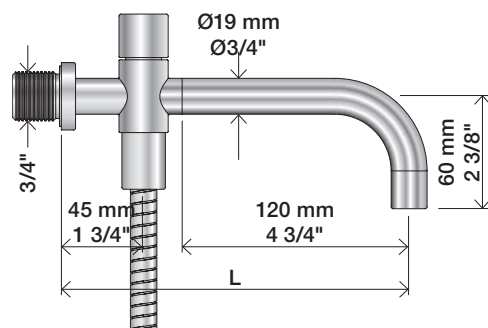
|            | L (mm) | L (Inch) |
|------------|--------|----------|
| 010(C)/100 | 100    | 4"       |
| 010(C)/130 | 130    | 5"       |
| 010(C)/160 | 160    | 6"       |
| 020(C)/200 | 200    | 7 3/4"   |
| 020(C)/225 | 225    | 8 3/4"   |
| 020(C)/260 | 260    | 10 1/4"  |
| 020(C)/300 | 300    | 11 3/4"  |

**030**

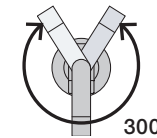
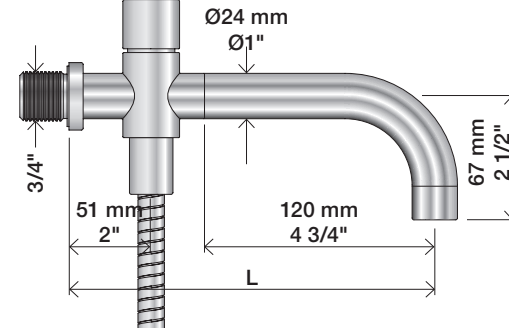


|         | L (mm) | L (Inch) |
|---------|--------|----------|
| 030/200 | 200    | 7 3/4"   |
| 030/250 | 250    | 9 3/4"   |
| 030/300 | 300    | 11 3/4"  |
| 030/350 | 350    | 13 3/4"  |

**040**



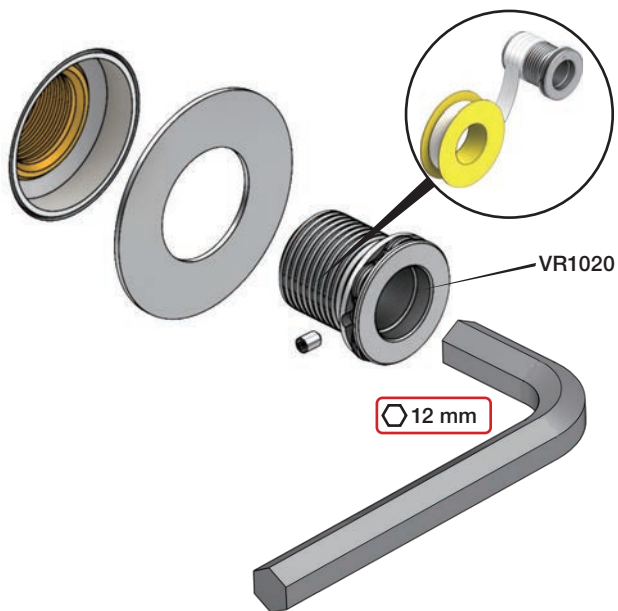
**040D**



|          | L (mm) | L (Inch) |
|----------|--------|----------|
| 040      | 185    | 7 3/4"   |
| 040D     | 200    | 7 3/4"   |
| 040D/250 | 250    | 9 3/4"   |
| 040D/300 | 300    | 11 3/4"  |

1

010, 010C, 020, 020C, 030, 040, 040D



2



3

Ø19: 010, 020, 030, 040



Ø24: 010C, 020C, 040D



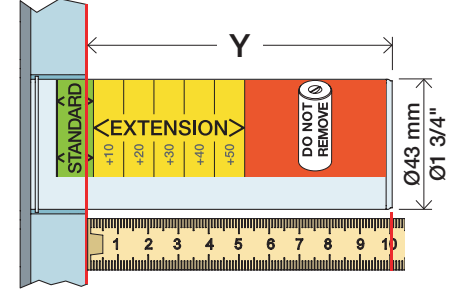
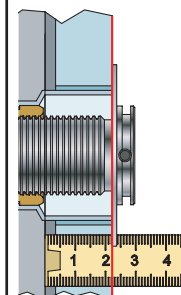
Extension  
Verlängerung

Forlængerdele  
Förlängning

Verlengstukken  
Modification

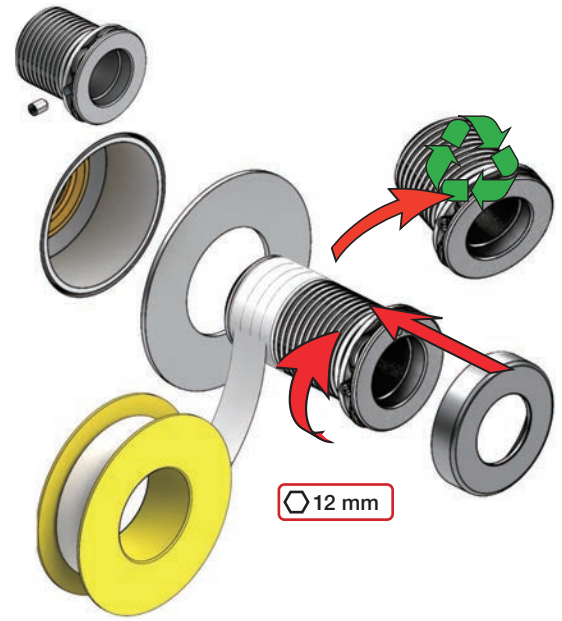
T Min. 3 mm  
Max. 65 mm

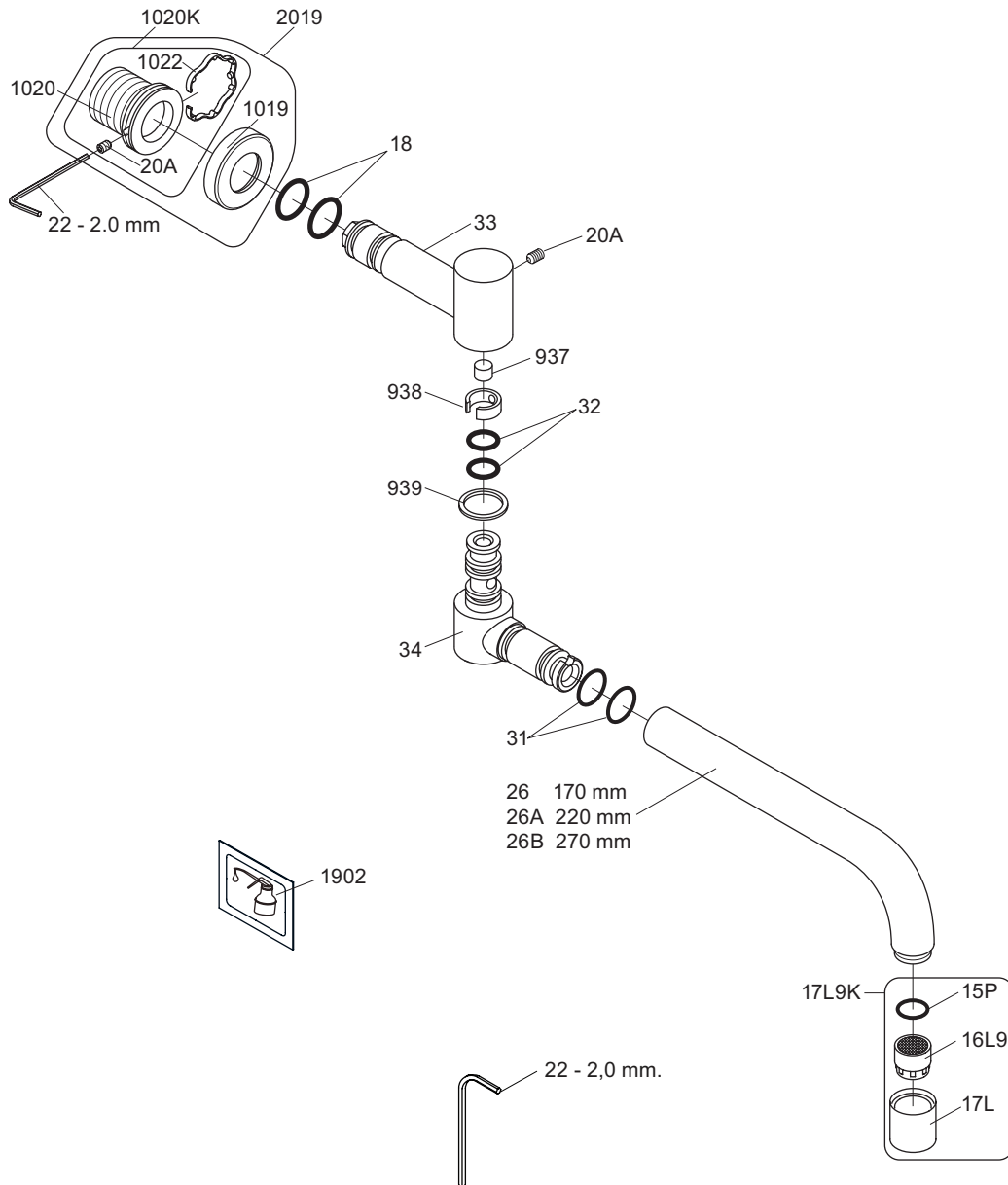
Y Min. 48 mm  
Max. 110 mm



| T          | Y           | VR1020K | VR2019 (Ø19)<br>VR2119 (Ø24) |
|------------|-------------|---------|------------------------------|
| 3 - 15 mm  | 110 - 98 mm |         | Std.                         |
| 15 - 25 mm | 98 - 88 mm  |         | +10                          |
| 25 - 35 mm | 88 - 78 mm  |         | +20                          |
| 35 - 45 mm | 78 - 68 mm  |         | +30                          |
| 45 - 55 mm | 68 - 58 mm  |         | +40                          |
| 55 - 65 mm | 58 - 48 mm  |         | +50                          |

VR1020K+ / VR2019+ / VR2219+





VR030: VR15P, VR16L9, 2xVR31, 2xVR32, VR1902  
 VR17L9K: VR15P, VR16L9, VR17L  
 VR940: VR937, VR938, VR939  
 VR1020K: VR20A, VR22, VR1020, VR1022  
 VR2019: VR20A, VR22, VR1019, VR1020, VR1022



**vola**  
 Lunavej 2  
 DK-8700 Horsens  
 Tlf : + 45 7023 5500  
 sales@vola.com  
 www.vola.com

## VOLA 030

Date  
Apr. 21

Rev.  
**3**

Sheet  
**SB 12**