

VOLA S50, S50D, S50DH  
 VOLA KV3, KV4, KV9, KV10, KV15  
 VOLA HV5, HV8, HV10  
 VOLA SC2, SC4, SC6, SC8, SC11, SC13

Fitting instruction  
 Montageanleitung  
 Monteringsvejledning  
 Monteringsvægledning  
 Montage hanleiding  
 Manuel de montage



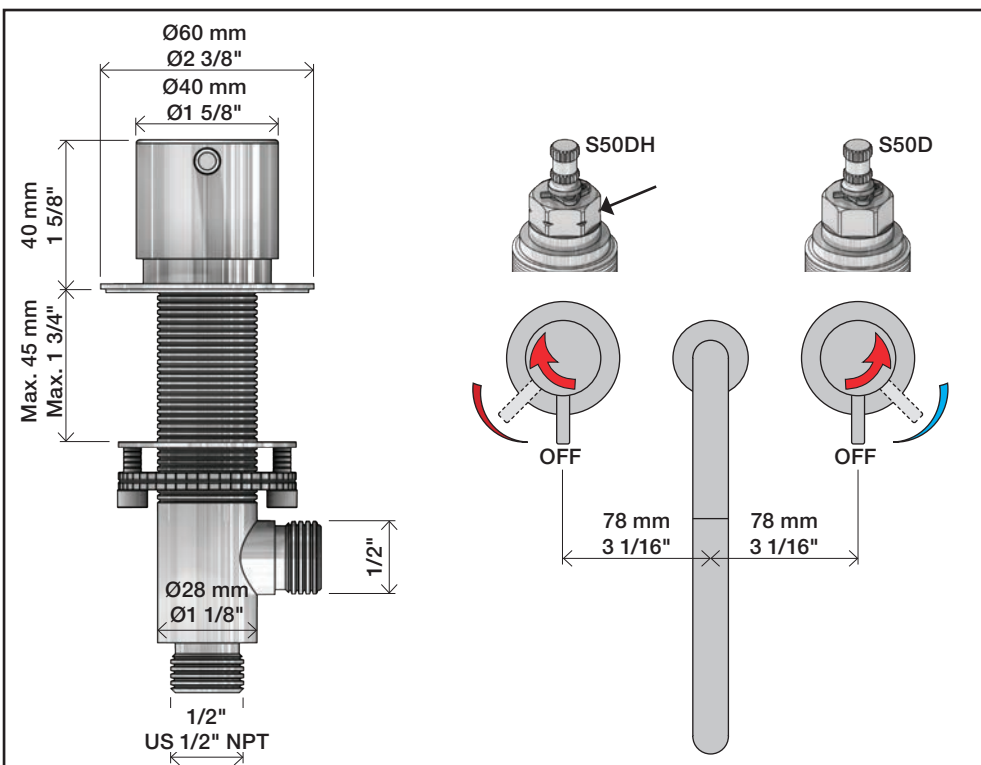
04/00115  
 04/00307  
 04/00340



www.vola.com

vola

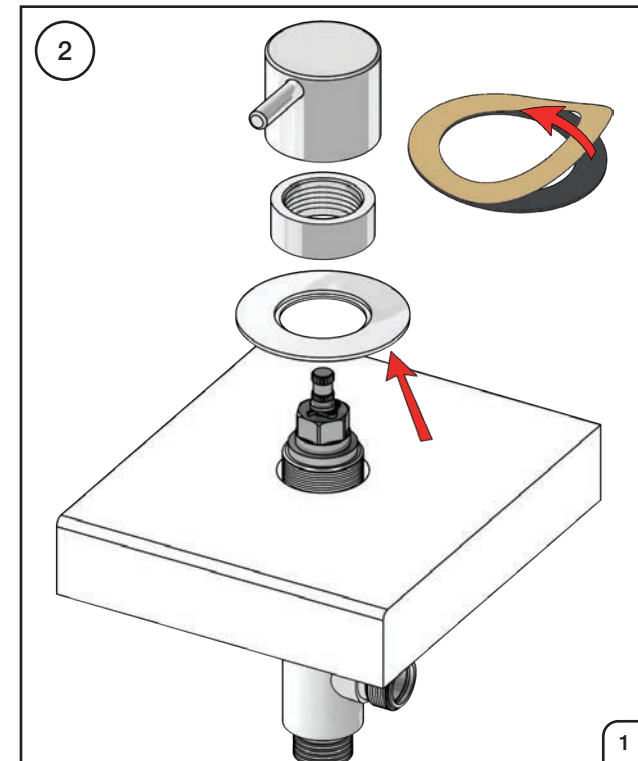
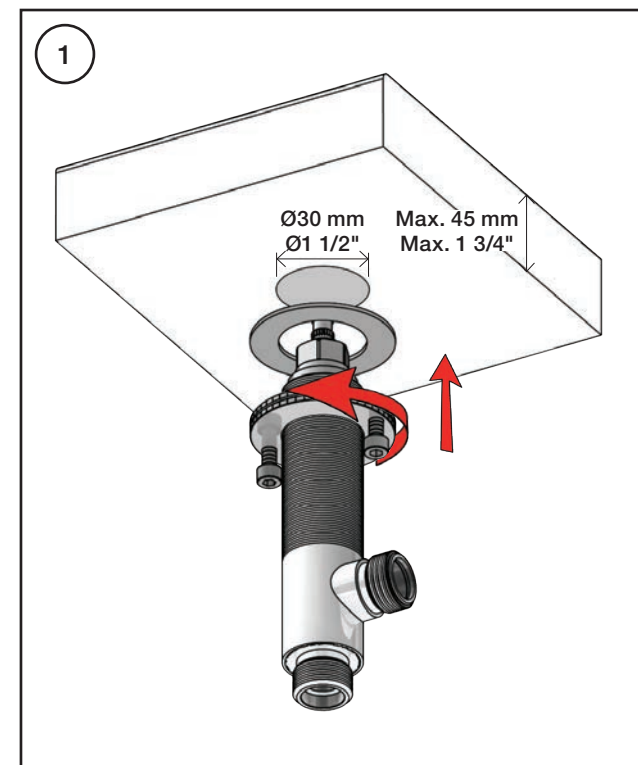
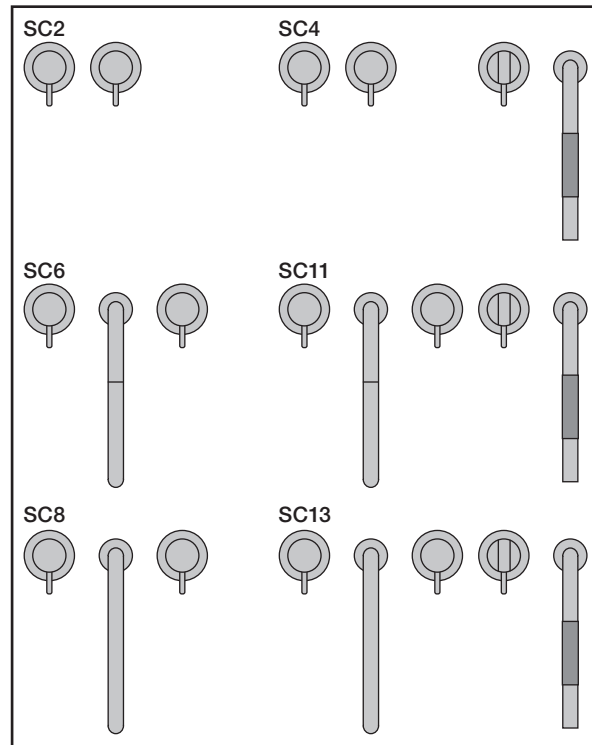
S50\_V9\_40999831  
 08-08-2024

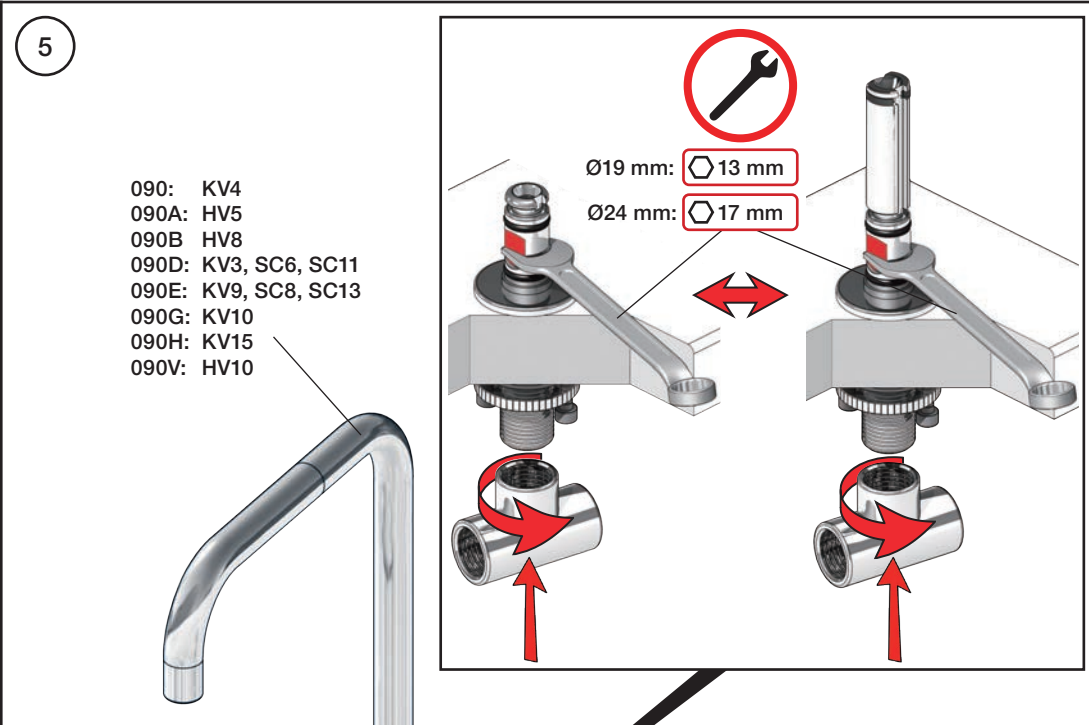
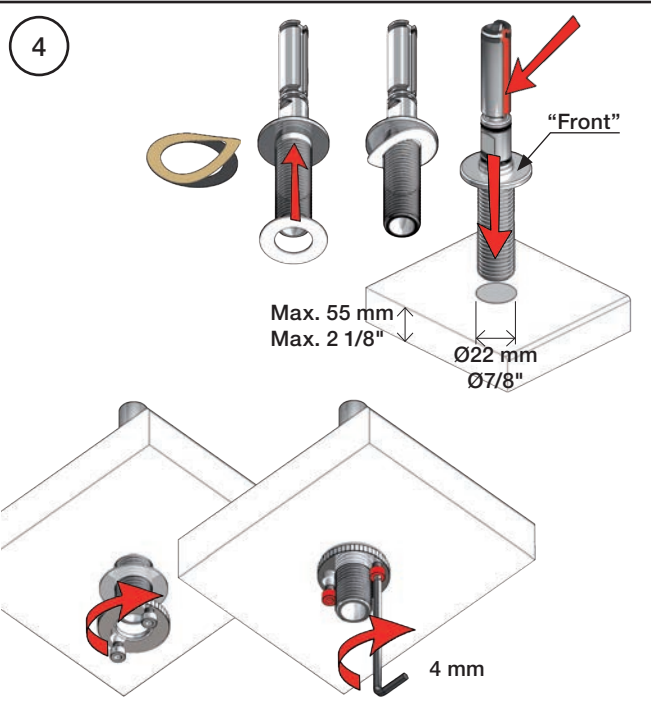
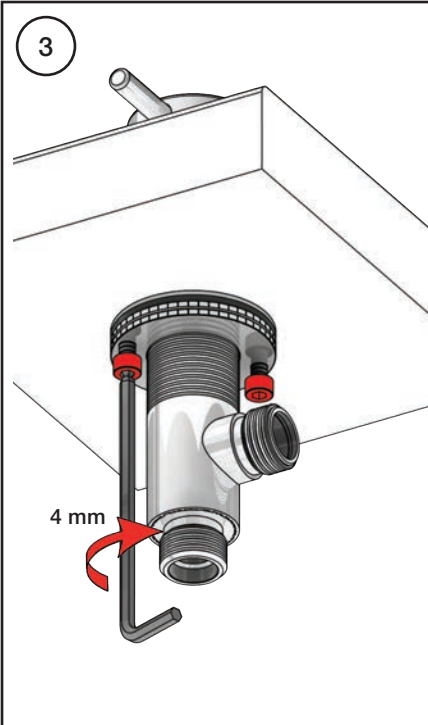


**Data, 3 Bar/43.5 Psi:**

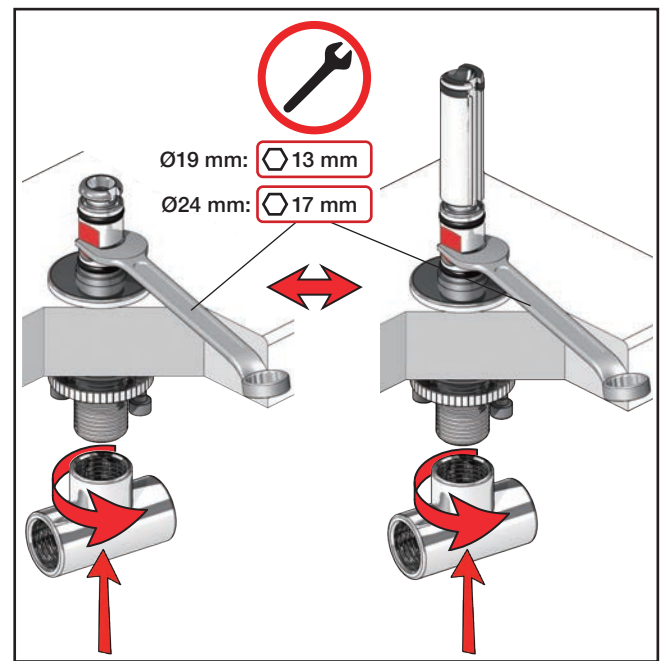
	l/min.	Gal/min.
S50:	32,0	8.5
KV3:	30,0	7.9
KV4:	9,0	2.4
KV10, 15:	9,0	2.4
HV5, 8, 10:	9,0	2.4
SC2, 4 (A24):	16,0	4.2
SC6, 8, 11, 13: (C)	26,0	6.9

Max. 65°C, 150°F





- 090: KV4
- 090A: HV5
- 090B: HV8
- 090D: KV3, SC6, SC11
- 090E: KV9, SC8, SC13
- 090G: KV10
- 090H: KV15
- 090V: HV10

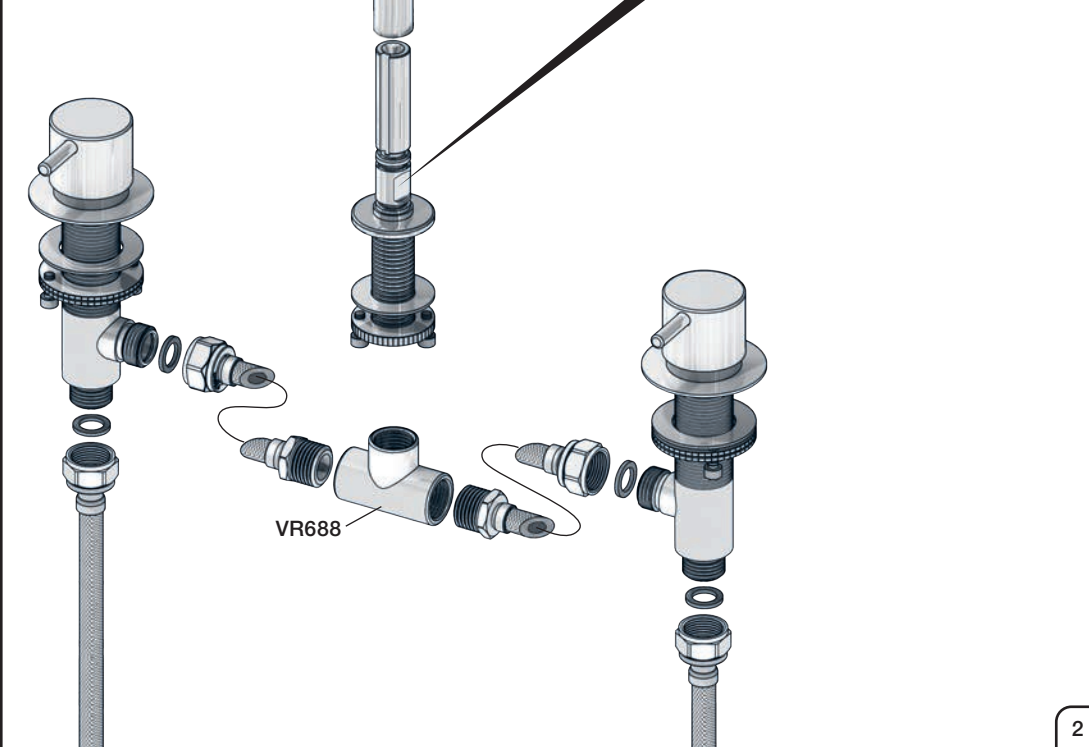
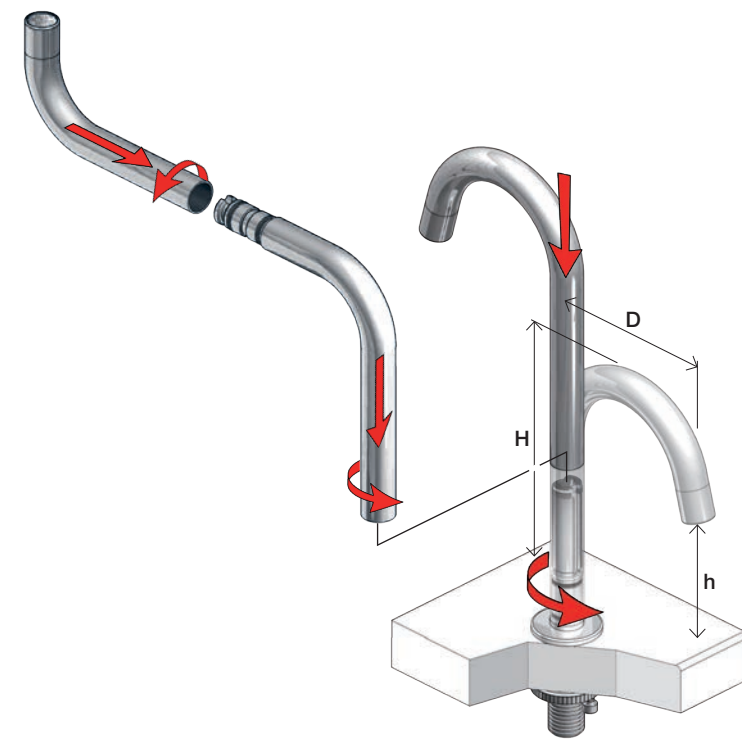


4A

mm:	H	D	h
090	210	200	145
090A	110	85	40
090B	185	100	114
090C	185	100	114
090D	220	200	130
090E	170	200	65
090G	185	140	105
090H	265	230	155
090I	325	230	216
090V	355	145	270

Inches:	H	D	h
090	8 1/2"	8"	5 3/4"
090A	4 1/4"	3 1/2"	1 1/2"
090B	7"	4"	4 1/2"
090C	7"	4"	4 1/2"
090D	8 3/4"	8"	5"
090E	6 3/4"	8"	2 1/2"
090G	7"	5 1/2"	4"
090H	10 1/2"	9"	6"
090I	12 3/4"	9"	8 1/2"
090V	14"	5 3/4"	10 1/2"



VOLA 090, 090A, 090B:  
 VOLA 090C, 090D, 090E:  
 VOLA 090G, 090H, 090I, 090V:

1 - 4

VOLA 090FM:

5

Fitting instruction      Monteringsvægledning  
 Montageanleitung      Montage hanledning  
 Monteringsvejledning    Manuel de montage



04/00045  
 04/00109



www.vola.com

vola

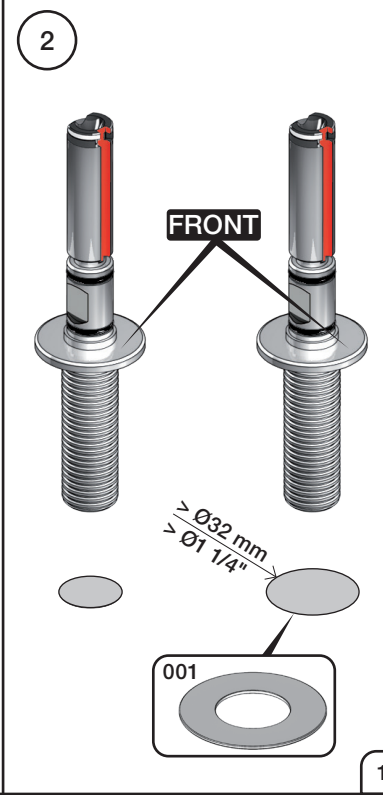
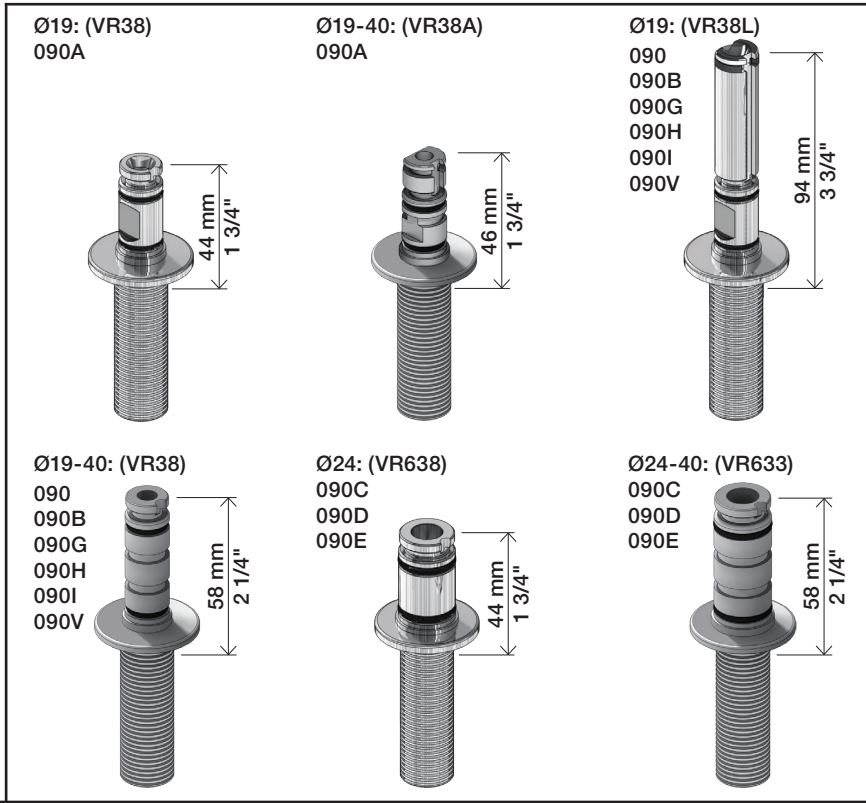
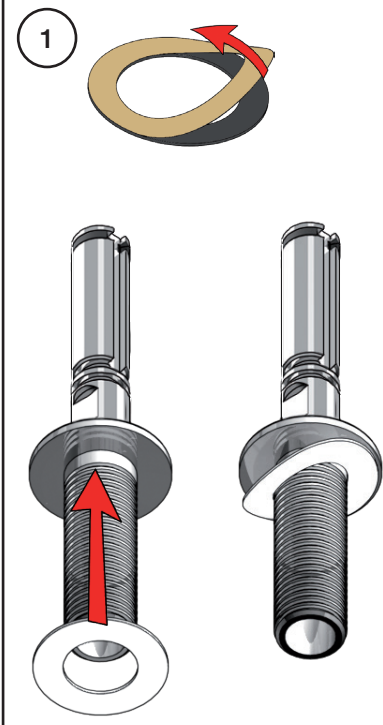
mnt\_090\_V4\_40999824  
 21-11-2023

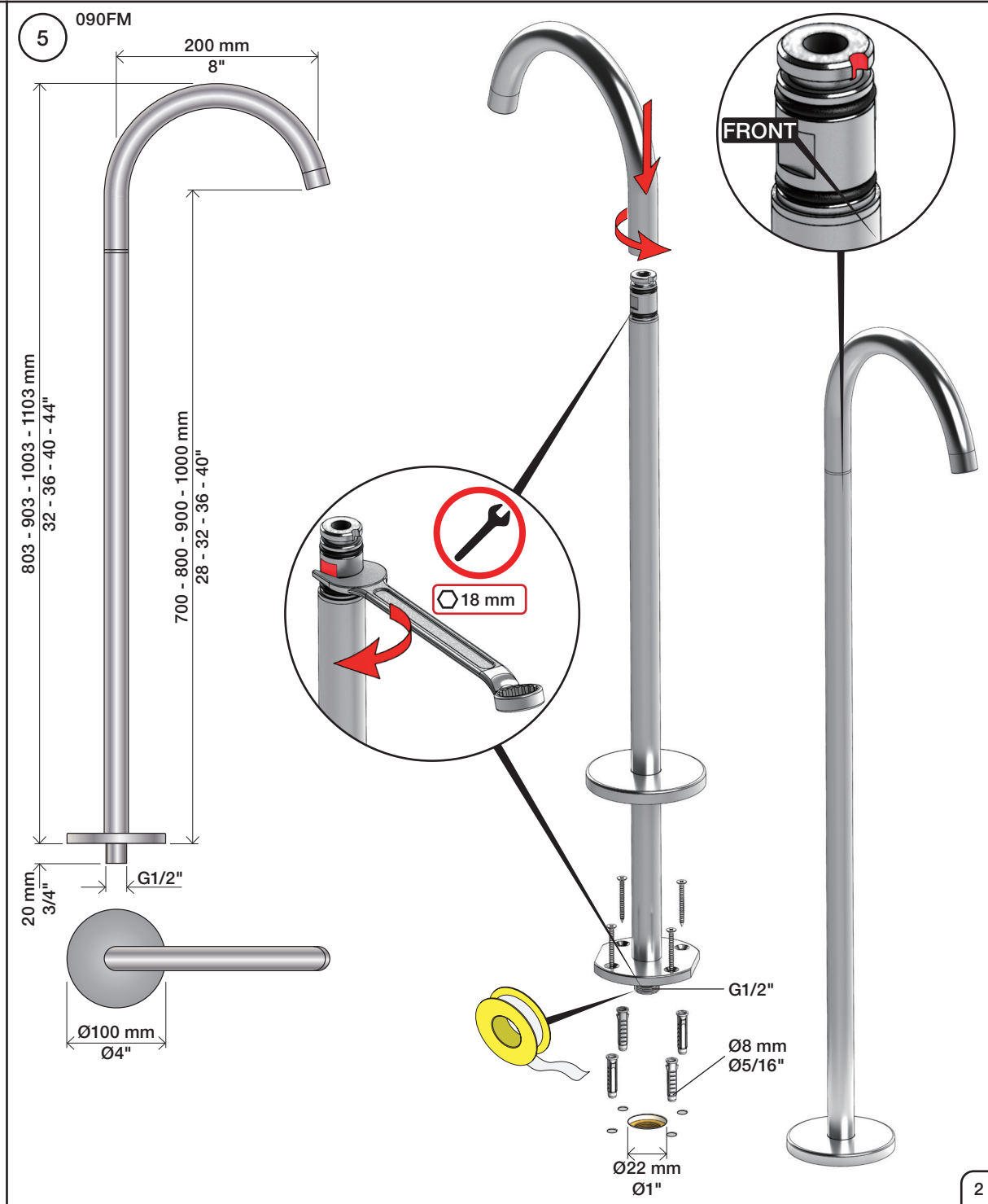
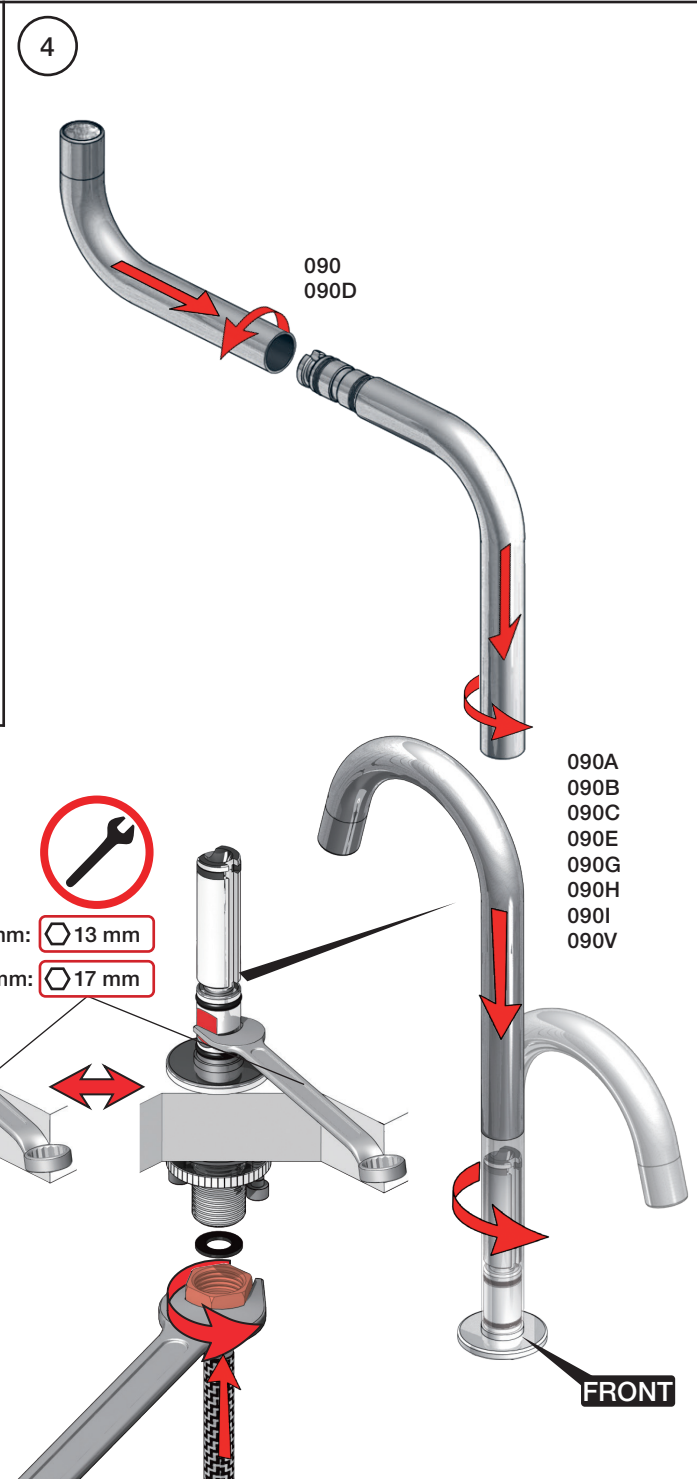


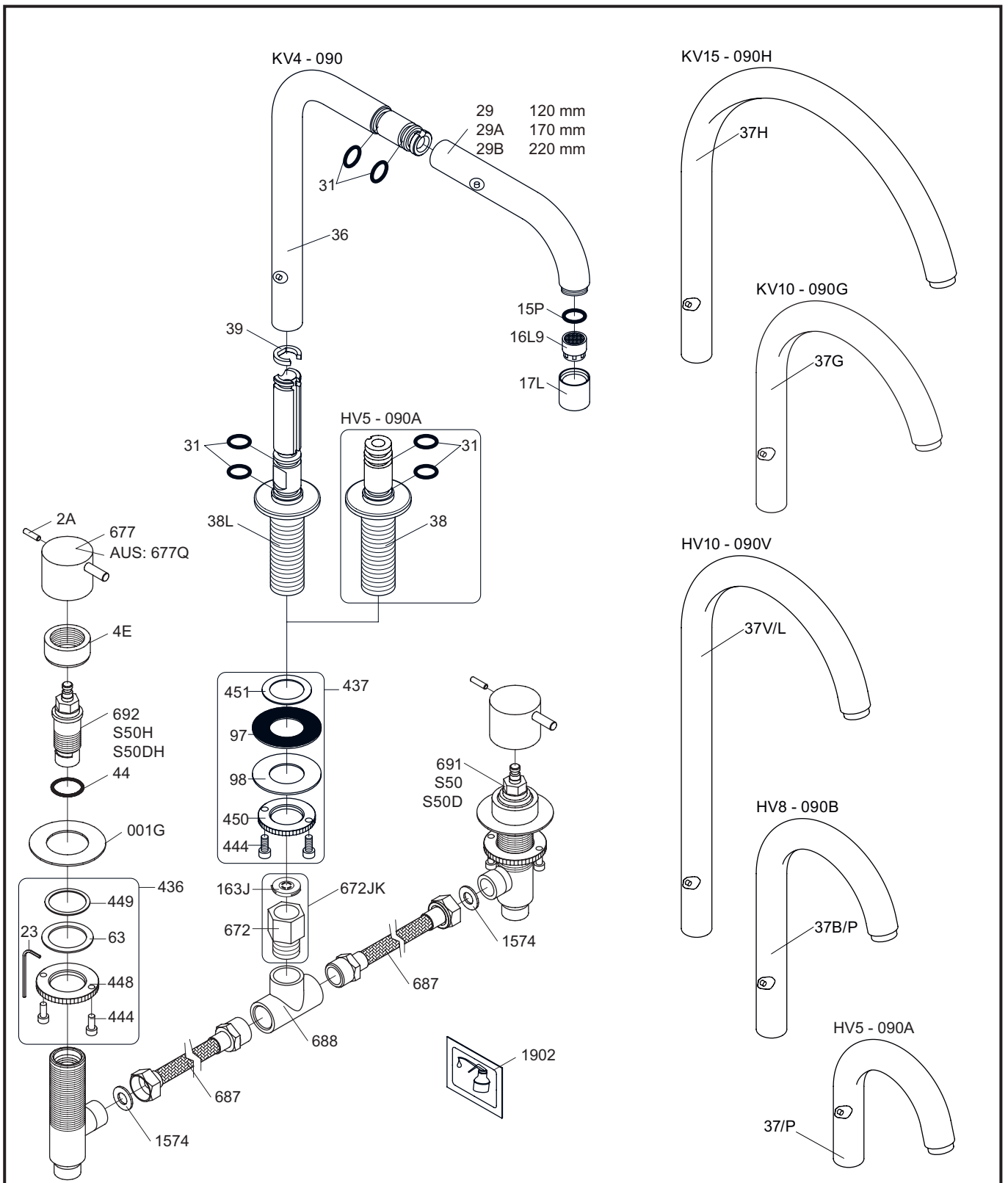
mm:	Ø	H	D	h
090	19	210	200	145
090A	19	110	85	40
090B	19	185	100	114
090C	24	185	100	114
090D	24	220	200	130
090E	24	170	200	65
090G	19	185	140	105
090H	19	265	220	155
090I	19	325	220	215
090V	19	355	145	270

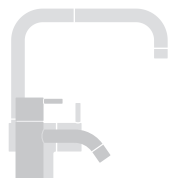
Inches:	Ø	H	D	h
090	3/4"	8 1/4"	8"	5 3/4"
090A	3/4"	4 1/4"	3 1/2"	1 1/2"
090B	3/4"	7"	4"	4 1/2"
090C	1"	7"	4"	4 1/2"
090D	1"	8 3/4"	8"	5"
090E	1"	6 3/4"	8"	2 1/2"
090G	3/4"	7"	5 1/2"	4"
090H	3/4"	10 1/2"	8 5/8"	6"
090I	3/4"	12 3/4"	8 5/8"	8 1/2"
090V	3/4"	14"	5 3/4"	10 1/2"







- NR.7: VR2A, VR23, VR677  
 VR090: VR15P, VR16L9, VR17L  
 VR436: VR63, 2xVR444, VR448, VR449  
 VR437: VR97, VR98, 2xVR444, VR450, VR451  
 VR672JK: VR163J, VR672  
 VR691K: VR23, VR691  
 VR692K: VR23, VR692



vola

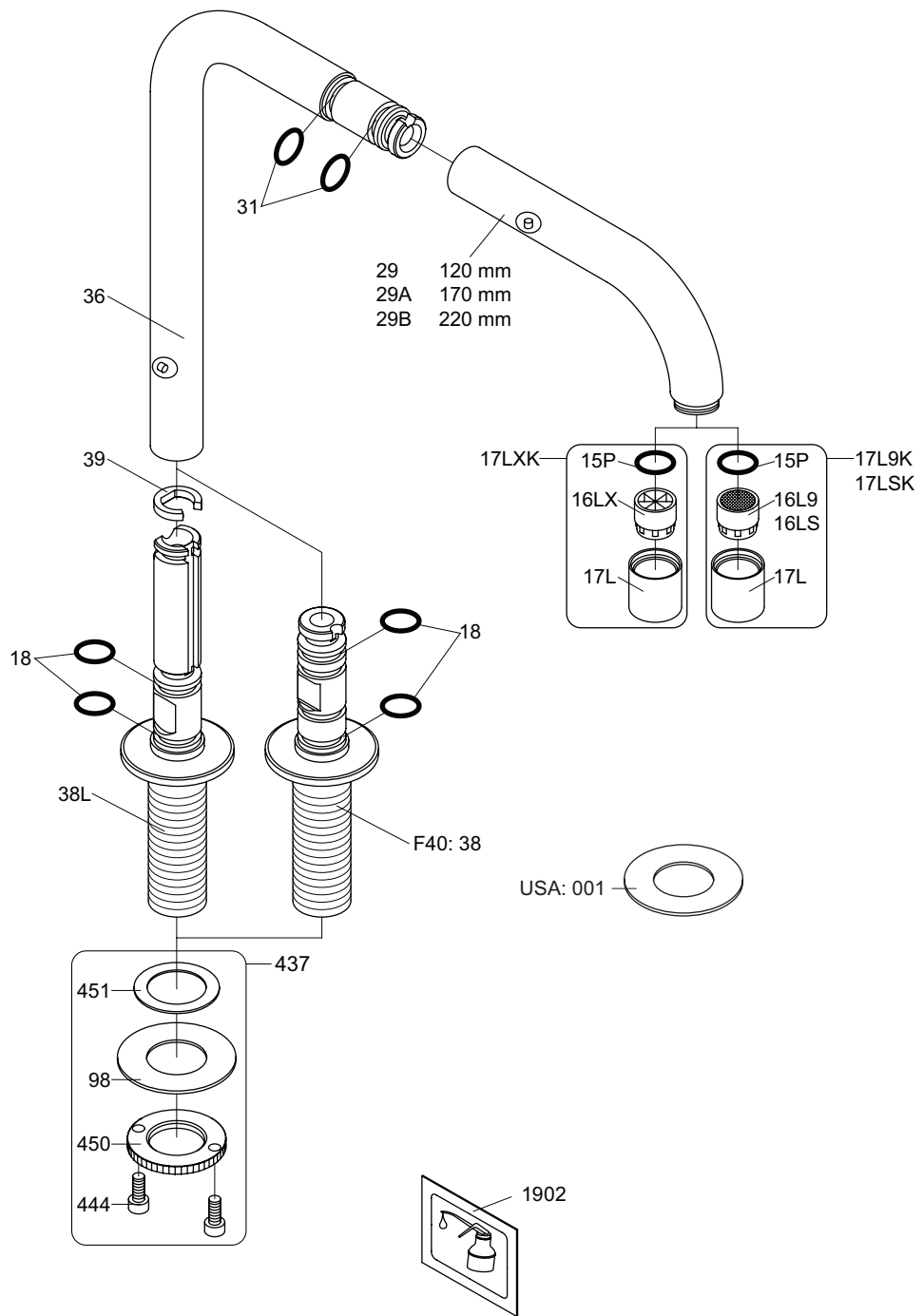
Lunavej 2  
 DK-8700 Horsens  
 Tlf : + 45 7023 5500  
 sales@vola.com  
 www.vola.com

## VOLA KV4/KV10/KV15 VOLA HV5/HV8/HV10

Date  
Apr. 21

Rev.  
4

Sheet  
SB 27.6



VR17L9K: VR15P, VR16L9, VR17L  
 VR17LSK: VR15P, VR16LS, VR17L  
 VR17LXK: VR15P, VR16LX, VR17L  
 VR090L9: VR15P, VR16L9, VR17L, 2xVR18, 2xVR31, VR1902  
 VR437: VR98, 2xVR444, VR450, VR451



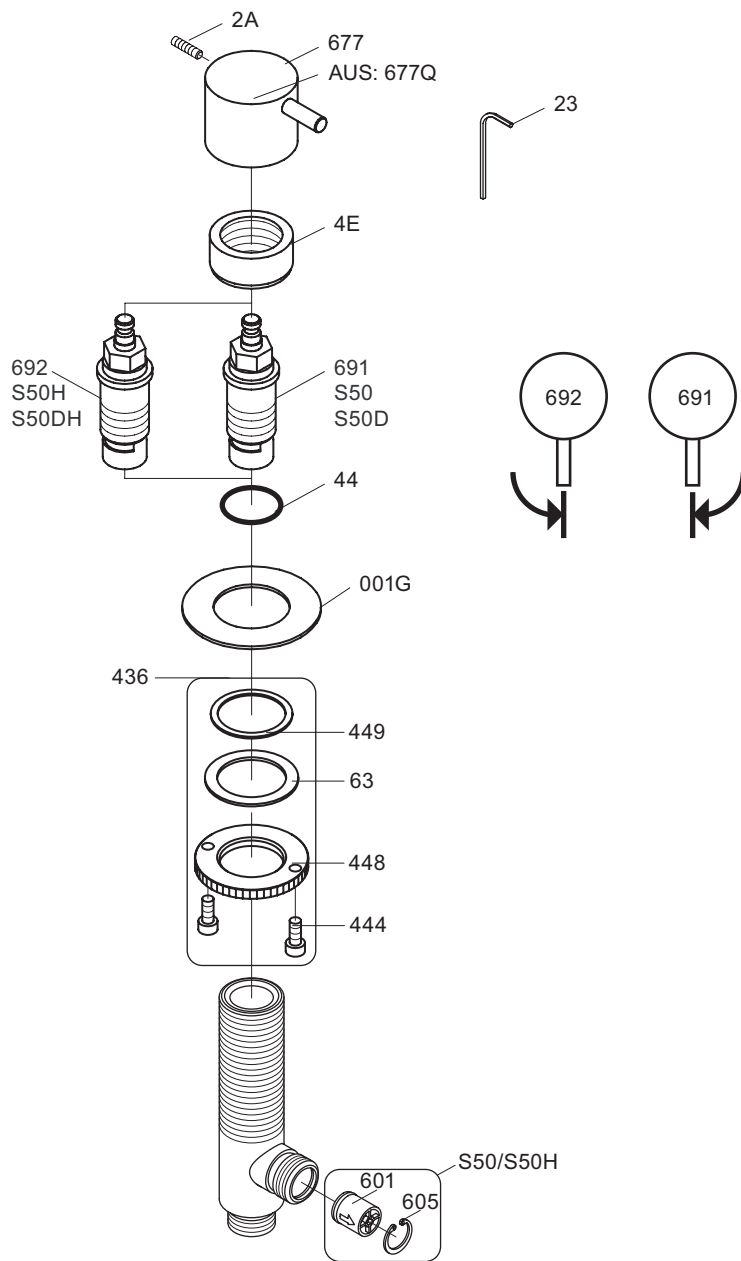
**vola**  
 Lunavej 2  
 DK-8700 Horsens  
 Tlf : + 45 7023 5500  
 sales@vola.com  
 www.vola.com

# VOLA 090

Date  
Okt. 16

Rev.  
**3**

Sheet  
**SB 18**



VR691i: VR23, VR44, VR691  
 VR692i: VR23, VR44, VR692  
 VR436: VR63, 2xVR444, VR448, VR449  
 NR.7: VR2A, VR23, VR677



**vola**  
 Lunavej 2  
 DK-8700 Horsens  
 Tlf : + 45 7023 5500  
 sales@vola.com  
 www.vola.com

**VOLA S50/S50H**  
**VOLA S50D/S50DH**

Date  
 Sep. 09

Rev.  
 2

Sheet  
 SB 31.3