

vola®

VOLA Round Series hand shower  
VOLA Round-head shower  
Uniquely refreshing. Visibly VOLA





**The new VOLA Round Series hand shower**

Perfectly echoing the VOLA Round-head shower 060, we present the latest additions to our exclusive shower range: the Round Series hand shower T60 and shower rail T65. Both products effortlessly continue the aesthetically pleasing forms and materials of the innovative Round-head shower.

The timeless and elegant simplicity of the Round-head shower has already won awards from international industry bodies.

Selected by many renowned architects, it is being enjoyed in luxury private bathrooms and hotel suites the world over.

Now, in combination with the new Round Series hand shower and shower rail, it will provide ultimate VOLA design coherence and functional excellence to our most discerning customers - whether for their own contemporary homes or as key elements of an architectural concept.





**VOLA Round Series: continuity and evolution**

We believe a bathroom should be an area of total departure from the stresses of modern life. One where purity and harmony free the mind and senses.

In response to this, we introduced the VOLA Round Series, taking as its focus the circle - a soothing, geometric form. Complementing the Round-head shower are the paper tissue dispenser and several styles of waste bin. All are discreet and represented by a pure circle on the wall.

Now, true to our twin principles of celebrating continuity and relishing innovation, we are adding the sculptural hand shower to the Round Series family.

It means a luxury bathroom can now be VOLA to its very core, blending not only elements of our extensive range of accessories, but also taking as its starting point our two harmonised round shower products.



VOLA Round-head shower and Round Series hand shower finished in brushed stainless steel shown with built-in flush waste bin and tissue dispenser finished in white with brushed stainless steel ring surround



**Consistently VOLA: the secret of calm**

At VOLA we believe continuity not only pleases the eye but also calms the spirit. In an increasingly relentless world, we design products whose form and function ease the stress of daily life – and make the bathroom a place of refuge and tranquillity.

Our unique products all take their proportions from the classic Arne Jacobsen tap specially designed for us more than 45 years ago. This creates a visual synergy: it is why they work together so naturally.

The new Round Series hand shower is no exception. It takes the special elements of this design language – the circle and cylinder forms – and combines them with functional simplicity to provide an antidote to the most hectic of lifestyles.

As with each new VOLA launch, our design and production professionals have developed a naturally-evolved product that is both stylishly innovative and reassuringly consistent.



VOLA Round Series hand shower  
finished in brushed stainless steel



VOLA Round Series hand shower and accompanying shower rail finished in polished chrome



**Aesthetically VOLA: pure and simple**

The Round Series hand shower is a seamless extension of the VOLA Round-head shower. They are based on the same design DNA.

The core design elements of the Round Series are the spherical shape and the narrow ring. This elegant ring can be seen clearly in the side view. The slender cylindrical form of the supporting tube extends behind and beyond the shower head, subtly emphasising the latter's status as the key element.

The shower rail also relates to existing VOLA design elements. It is attached to the wall with a circular fixing, matching and adjacent to the round hand shower head – creating a horizontal harmony with the shower taps.

When ready for use, the Round Series hand shower head can be held in place by the optional shower rail. A button responds easily to one hand, sliding it to the best height for effective showering.





VOLA offers choice not only in aesthetics but also in functionality – to create a mind and body experience that combines relaxation and invigoration.

The new Round Series hand shower comes with a standard flow of 12 litres per minute. But it is also available in a water-saving model with a flow of 7.5 litres per minute.

Sustainability through water conservation is important to VOLA. But this is only one part of a holistic approach to reducing energy consumption. Our quality products last for generations, keeping the environmental effects of manufacturing to a minimum.

**VOLA choice: options in opulence**

VOLA is about the customer – and about the ultimate destination for each product. That's why the new Round Series hand shower comes in polished chrome, brushed chrome, natural brass, brushed stainless steel and 14 different colours to suit personal tastes and desired effects.



VOLA Round Series hand shower  
finished in brushed stainless steel



VOLA Round Series hand shower  
finished in polished chrome





**Perfectly VOLA: careful craftsmanship**

The striking geometric forms on the Round Series hand shower head are immediately apparent – its eight architectural lines fanning out from the centre. Facing outwards from the wall, these perfectly reflect the original Round-head shower's 18 lines. And, in just the same way as the larger shower head, the water nozzles are drawn back into the form to create a calming, smooth finish.

Polymer detailing on the tube provides a comfortable hold and mirrors the design of the shower head: being drawn back into the form for elegant simplicity.

### **VOLA Round-head shower**

The VOLA Round-head shower made history as the first shower designed by VOLA based on the calming shape of a sphere. It was a natural extension of the VOLA range – and a key element in the award-winning Round Series.

A shower of choice among international architects, it already graces the homes of discerning private individuals and the bathroom suites of prestigious hotels worldwide.







**Cohesively VOLA: visual connections**

In living spaces that demand total cohesion between architecture and design, the Round Series provides a harmonious solution: with each product creating visual echoes of the next.

Choice is at the very heart of what we do. The consistency of our design philosophy and the

inter-relationship between our forms enable us to offer a modular system, where each product can be combined with another with perfect ease.

The existing Round-head shower and new Round Series hand shower now combine as essential elements of the perfectly sculpted bathroom suite.





**VOLA choice: options in opulence**

VOLA recognises that every customer is different. That is why the Round-head shower offers a variety of configurations and finishes for ultimate satisfaction.

It can be ceiling- or wall-mounted. It can be finished in polished chrome, brushed chrome, natural brass, brushed stainless steel and 14 different colours.

The core design element of the Round Series is a narrow ring. The Round-head shower adopts the same element, clearly visible from the side.

In the wall-mounted model, the relationships between the two cylindrical forms – one horizontal, one vertical – and the shower ring itself, carefully mirror classic VOLA design proportions.



Ceiling mounted VOLA Round-head shower  
and accompanying Round Series hand  
shower finished in brushed stainless steel



Ceiling mounted VOLA Round-head shower finished in polished chrome



Wall mounted VOLA Round-head shower  
finished in brushed stainless steel





Wall mounted VOLA Round-head shower  
finished in polished chrome



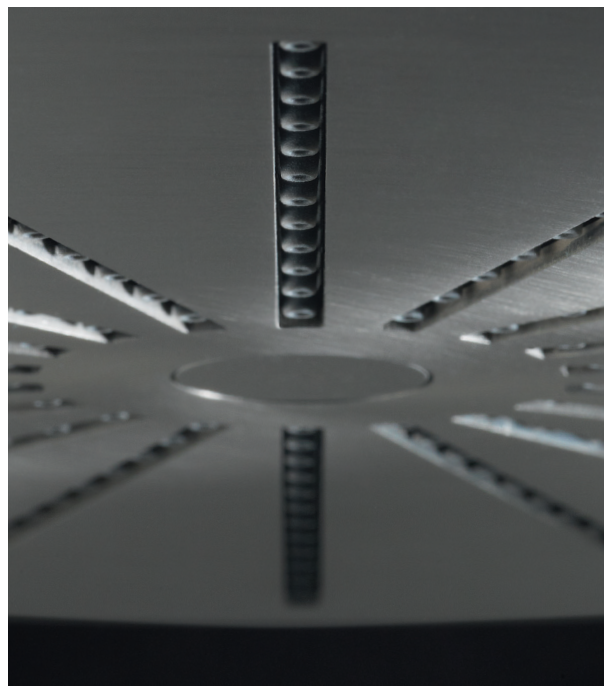
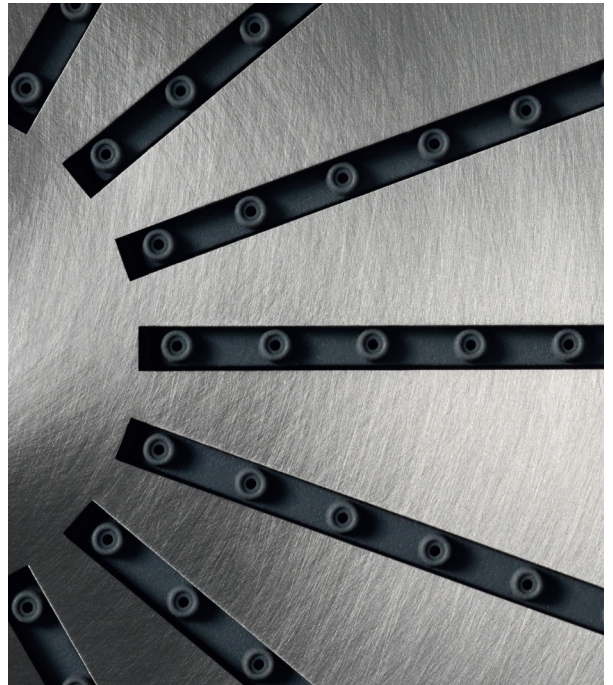


**Perfectly VOLA: careful craftsmanship**

VOLA uses only the highest quality raw materials. We apply our timeless designs and detailed processes to finish each product to perfection.

The shower plate has 18 lines which fan out from the centre, each holding 12 rubber nozzles. As in the new Round Series hand shower, the nozzles are drawn back into the form, contributing to its elegant appearance.

In the brushed stainless steel model, the material has been brushed by hand in a circular motion to echo the ringed form.





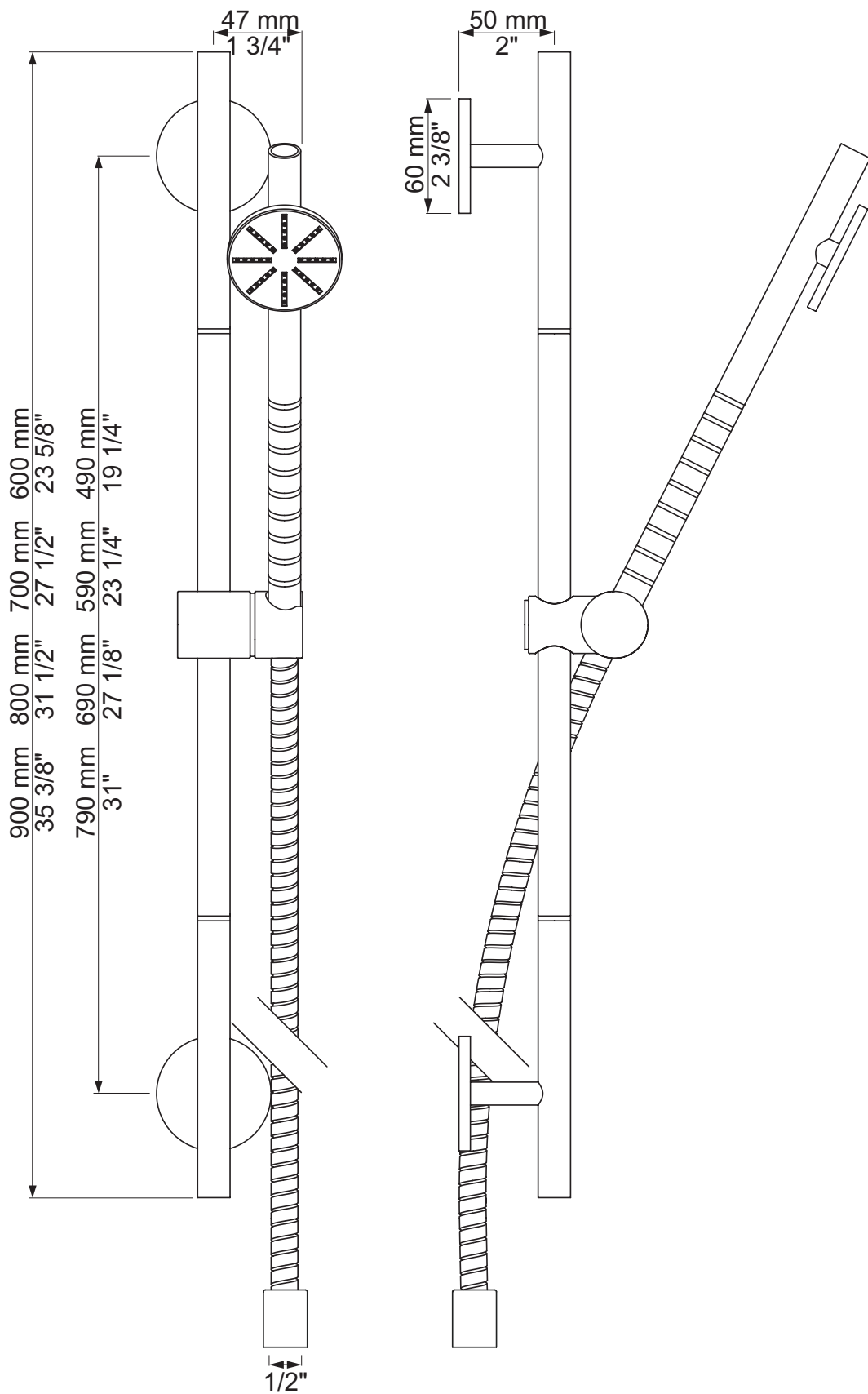
**VOLA choice: options in water flow**

Since bathing is an intimate and individual experience, the Round-head shower offers customers a personal choice of water flow. It can deliver 24 litres or 15 litres or down to 7.5 litres of water per minute 3 bar pressure according to WaterSense – to suit all preferences.

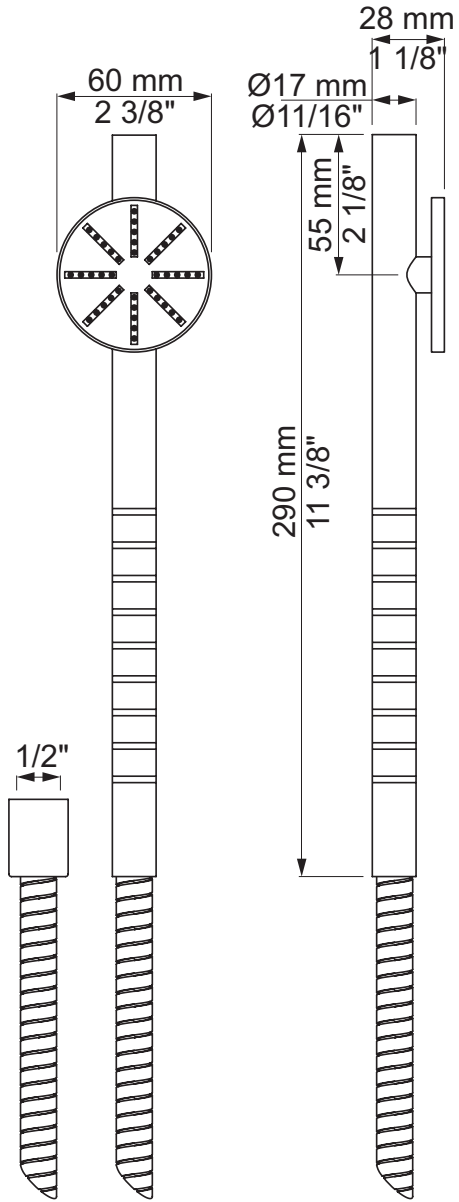
In a bathroom that is purely VOLA, we combine strong and stylish design, bathing efficiency and ultimate relaxation. Perhaps that is why so many of the world's top architects consistently choose VOLA for their most prestigious clients.



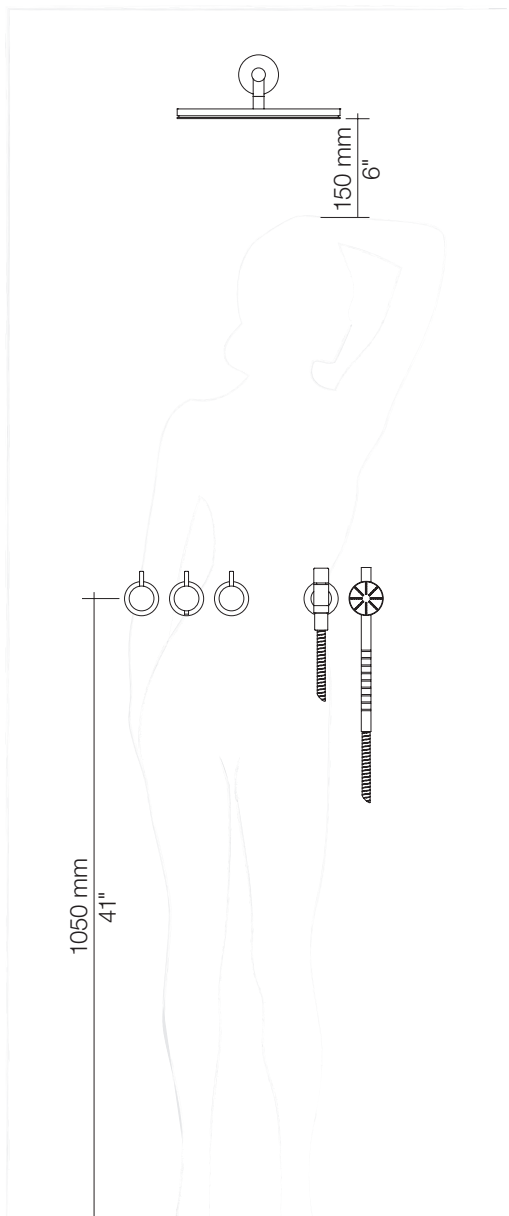
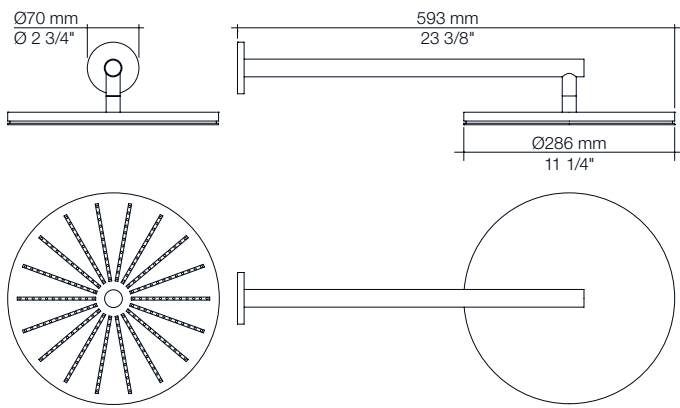
VOLA T65 shower rail



VOLA T60 hand shower

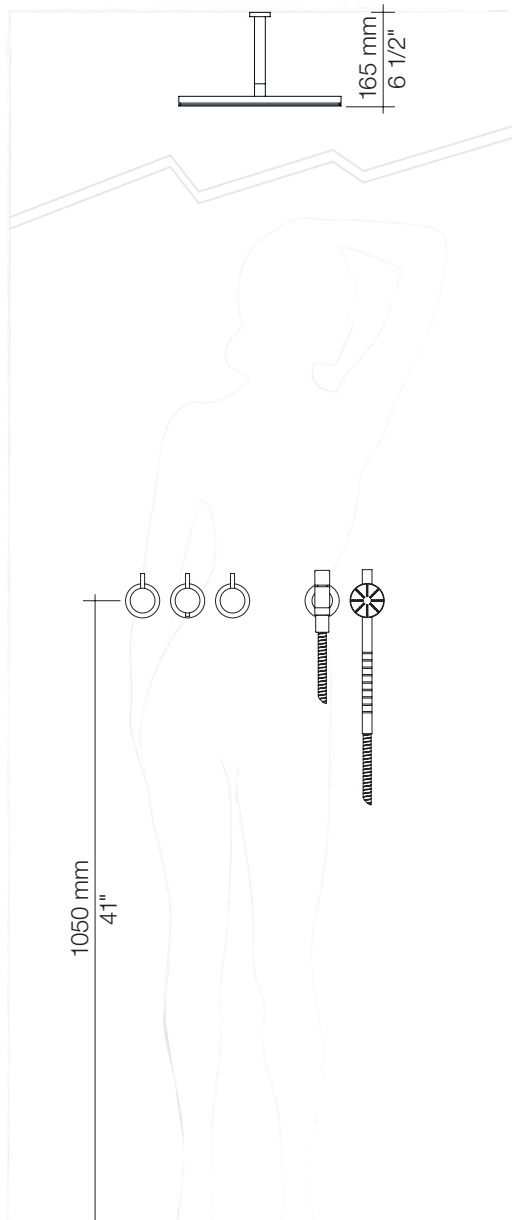
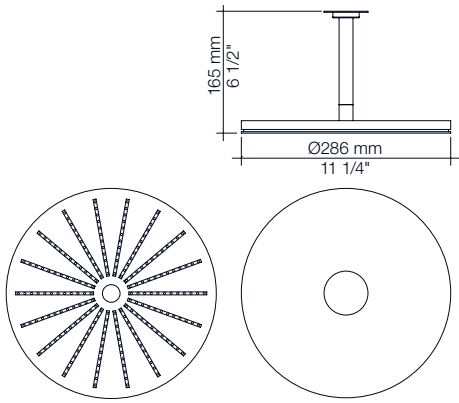


VOLA 060 wall mounted  
Round-head shower





VOLA 060A ceiling mounted  
Round-head shower



### **VOLA innovation: a long tradition**

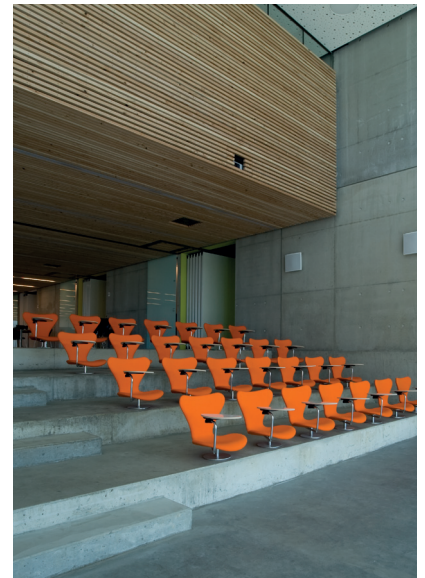
At VOLA we take pride in the continuity of our design language. But we also celebrate novelty and innovation with each new product. More than 45 years since the first VOLA tap was born, our designs are still receiving recognition from the industry.

The VOLA Round-head shower is designed by Aarhus Arkitekterne.

### **Here is a selection of our recent accolades:**

- GERMAN DESIGN AWARD 2015 (German Design Council) - for the hands-free soap dispenser RS10
- INTERIOR INNOVATION AWARD 2014 (German Design Council) - for the hands-free soap dispenser RS10
- GERMAN DESIGN AWARD 2014 (German Design Council) - for the Round-head shower 060
- GOOD DESIGN AWARD 2013 (The Chicago Athenaeum: Museum of Architecture and Design) - for the Round-head shower 060
- PLUS X AWARD – Best Product of the Year 2011 in its category/seals of approval in Innovation, Design and Functionality - for the Round Series
- GOOD DESIGN AWARD 2009 (The Chicago Athenaeum: Museum of Architecture and Design) - for the towel warmer T39, and the free-standing shower FS3
- GOOD DESIGN AWARD 2007 (The Chicago Athenaeum: Museum of Architecture and Design) - for the free-standing bath filler FS1

As with all our products, we offer easily accessible after-sales service and support from our professionals, each of whom has been trained at our dedicated VOLA Academy or by our local representative.



The VOLA Academy



**VOLA UK Ltd.**  
Highfield House  
108 The Hawthorns  
Flitwick MK45 1FN  
Tel: 01525 720111  
Fax: 01525 720222  
sales@vola.co.uk  
www.vola.co.uk

**VOLA International Studio**  
32-36 Great Portland Street  
London W1W 8QX  
Tel: 020 7580 7722  
Fax: 020 7580 7733  
sales@vola.co.uk  
www.vola.co.uk

**VOLA A/S**  
Lunavej 2  
DK-8700 Horsens  
Tel: +45 7023 5500  
Fax: +45 7023 5511  
sales@vola.dk  
www.vola.dk

Celebrating change. Celebrating continuity.

vola®

**AUSTRALIA**

dedece  
263 Liverpool Street  
Darlinghurst  
NSW 2010 Sydney  
Tel: 2 9360 2722  
Fax: 2 9360 9022  
info@dedece.com  
www.dedece.com

**BELGIË**

VOLA byba  
Tour & Taxis  
Havenlaan 86C  
1000 - Brussels  
Tel: +32 2 465 96 00  
Fax: +32 2 426 48 96  
sales@vola.be  
www.vola.be

**CANADA**

Ginger's Bath  
95 Ronald Ave.  
Toronto, Ontario  
M6B 4L9  
Tel: 416-787-1787  
Fax: 416-787-1748  
info@elte.com  
www.elte.com

**CHINA**

VOLA Showroom  
1f, No. 511  
Jiangning Road  
Jingan District  
Shanghai 200041  
Tel: +86 183 0190 6509  
sales@vola.cn  
www.vola.com

Euro-tech Industrial Company Limited  
Shop 05, No. 600  
Shaanxi Road North,  
Jing An District  
Shanghai 200041  
Tel: +86 21-61767550  
Fax: +86 21-61767552

Badeluxe Trading Limited  
B301, Tower C  
COFCO Plaza  
No. 8 Jian Guo Men Nei Avenue  
Dong Cheng District  
Beijing 100005  
Tel: +86 010 6526 1363  
Fax: +86 010 6526 1373  
info@badeluxe.com

Shanghai Tech Pro  
Office and Showroom  
Building 2 Dream Wharf  
1029 South Zhongshan Road  
Huangpu District  
Shanghai 200011  
Tel: (8621) 6419 6704  
Fax: (8621) 6461 1432  
shanghai@viahk.biz

**DANMARK**

VOLA A/S  
Lunavej 2  
8700 Horsens  
Tel: +45 70 23 55 00  
Fax: +45 70 23 55 11  
sales@vola.dk  
www.vola.com

Pakhus 48  
Klubensvej 22  
2150 Nordhavn  
Tel.: +45 7022 4570  
sales@vola.dk  
www.vola.com

**DEUTSCHLAND**

VOLA GmbH  
Schwanthaler Straße 75A  
80336 München  
Tel: 089/599959-0  
Fax: 089/599959-90  
vola@vola.de  
www.vola.de

**ESPAÑA**

DEE  
Ctra. Dosrius, 69-3º-2º  
E-08440 Cardedeu  
Barcelona  
Tel: +34 972 10 55 35  
Fax: +34 931 13 85 85  
iconico@iconico.es  
www.vola.es

**ESTONIA**

Hals Interiors OÜ  
Kadaka tee 42H  
12915 Tallinn  
Tel: +372 7151410  
Fax: +372 7151411  
hals@hals.ee  
www.hals.ee

**FRANCE**

sopha industries  
44, rue Blanche  
75009 Paris  
Tel: 01 42 81 25 85  
Fax: 01 40 16 45 18  
sopha@sopha.fr  
www.sopha.fr

**GREAT BRITAIN**

VOLA UK Ltd.  
Highfield House  
108 The Hawthorns  
Flitwick MK45 1FN  
Tel: 01525 720111  
Fax: 01525 720222  
sales@vola.co.uk  
www.vola.co.uk

VOLA Studio  
32-36 Great Portland Street  
London W1W 8QX  
Tel.: 020 7580 7722  
Fax: 020 7580 7733  
sales@vola.co.uk  
www.vola.co.uk

**HELLAS**

moda bagno s.a.  
50 Anapafseos Street  
Vrilissia 15 235, Athens  
Tel: 210 8036700  
Fax: 210 8049408  
Tel: 210 8046987  
info@modabagno.gr  
www.modabagno.gr

**HONG KONG**

portfolio group limited  
Room A, 10/F  
Seabright Plaza  
9-23 Shell Street  
Hong Kong  
Tel: 28 680 765  
Fax: 25 247 887  
sales@pgltd.com.hk

H2O Pro Ltd.  
16/F First Commercial Building,  
33 Leighton Road  
Causeway Bay  
Tel: 852 2891 6860  
Fax: 852 2834 3029  
info@h2opro.com.hk  
www.ebon.com.hk

**ISLAND**

Tengi ehf.  
Smidjuvegur 76  
200 Kópavogur  
Tel: 414-1000  
Fax: 414-1001  
www.tengi.is

**ITALIA**

RAPSEL Srl  
Via Volta, 13  
20019 Sestimo Milanese (MI)  
Tel: 02.33.55.981  
Fax: 02.33.50.1306  
rapssel@rapssel.it  
www.rapssel.it

**KOREA**

E.L. System Co. Ltd.  
Jaemyoung B/D  
893-12  
Bangbae 1dong  
Seocho-Gu  
Seoul  
Tel: 82-2-598-4517  
Fax: 82-2-521-3786

**KYPRIAKI DIMOKRATIA**

S.C. Nicolaidis Ltd  
3, Gregoriou Karekla str.  
Strovolos  
P.O. Box 21703  
1512 Nicosia  
Tel: 22 813 200  
Fax: 22 424 803  
info@oikia.com.cy

**LEBANON**

Geahchan Group  
Sin El Fil  
Geahchan Building  
Hayek Round About  
Beirut  
Tel: 01. 480 520  
Fax: 01. 496 607  
info@geahchangroup.com  
www.geahchangroup.com

**MEXICO**

Productos de Latón  
de Alta Calidad  
General Juan Cano 27  
Col San Miguel Chapultepec  
Mexico, D.F. 52760  
Tel: 01 (55) 2614 5211  
Fax: 01(55) 2614 9312  
placsadecv@hotmail.com

**NETERLAND**

VOLA Nederland BV  
Valkenburgerstraat 23  
1011 MG Amsterdam  
Tel: 020 36 56 356  
Fax: 020 36 56 482  
info.nl@vola.com  
www.vola.com

**NIPPON**

Cera Trading Co., Ltd  
TOTO Nogizaka BLDG., 1-24-3  
Minami Aoyama  
Minato-ku  
TOKYO 107-0062  
Tel: +81-3-3402-6151  
Fax: +81-3-3402-7185  
www.cera.co.jp

**NORGE**

VOLA Showroom  
shelby teknikk as  
Nedre Gate 7  
0551 Oslo  
Tel: +47 51 46 18 00  
post@shelby.no  
www.vola.com

shelby teknikk as  
Strandgaten 55  
4370 Eggersund  
Tel: +47 51 46 18 00  
Fax: +47 51 46 18 01  
post@shelby.no  
www.shelby.no

**ÖSTERREICH**

VOLA Vertriebs GmbH  
Kandlgasse 19  
1070 Wien  
Tel: 01/526 39 71-0  
Fax: 01/526 39 71-20  
info@vola.at  
www.vola.at

**POLONIA**

P.P.U.H MIRAD Sp. z o.o.  
ul. Armii Krajowej 21  
05-480 Karczew, Poland  
Tel: 22 780 6564  
mirad@mirad.com.pl  
www.mirad.com.pl

**PORTUGAL**

CARVALHO, BATISTA & Ca, Sa.  
Rua do Almada  
29-79-89 - Apartado 4784  
4013-001 Porto  
Tel: 22 339 21 26 / 7 / 9  
Fax: 22 205 96 11  
carvalhobatista@mail.telepac.pt  
www.carvalhobatista.pt

**SCHWEIZ**

VOLA AG  
Müllistr. 18  
8320 Fehraltorf  
Tel: 044/955 18 18  
Fax: 044/955 18 19  
sales@vola.ch  
www.vola.ch

**SINGAPORE**

VolumeFive Pte Ltd.  
51 Anson Road,  
#01-53 Anson Centre,  
Singapore 079904  
Tel: +65 6348 2508  
Fax: +65 6348 2507  
sales@volumefivehome.com

**SLOVENIA**

Moderna d.o.o.  
Jarska cesta 10b  
SI-1000 Ljubljana  
Tel: +386 590 200 95  
Fax: +386 590 200 96  
info@moderna.si  
www.moderna.si

**SOUTH AFRICA**

Still the bathroom gallery  
Unit 111A, The Foundry  
74 Prestwich Str.  
Green Point Cape Town  
South Africa 8001  
Tel: 021 421 9970/2  
Fax: 021 421 9971  
info@stillbathrooms.co.za  
www.stillbathrooms.co.za

**SUOMI**

INNO-TUOTE OY  
Tähdenlentontie 9  
02240 Espoo  
Tel: (0) 9 8870 380  
Fax: (0) 9 8870 3833  
info@inno.fi  
www.inno.fi

**SVERIGE**

VOLA AB Showroom  
Storgatan 24  
114 55 Stockholm  
Tel: +46 08-6602801  
sales@vola.se  
www.vola.se

**UNITED ARAB EMIRATES**

Sanipex LLC  
Sheik Zayed Road  
P.O. Box 30871  
Dubai  
Tel: 971 4 339 5660  
Fax: 971 4 339 5671  
www.sanipexdubai.com

**UNITED STATES**

Hastings Tile and Bath  
711-8 Koehler Avenue  
Ronkonkoma, N.Y. 11779  
Tel: 631-285-3330  
Fax: 631-285-3342  
vola@hastingstilebath.com  
www.hastingstilebath.com